



eColor Burst Powercore

Architectural and landscape LED spotlight with solid color light



eColor Burst Powercore

Architectural and landscape LED spotlight with solid color light

eColor Burst Powercore is a high-output, exterior-rated LED lighting fixture designed for accent and site lighting. Architectural and Landscape versions deliver high-quality light output in red, green, blue, and amber to support a range of uplighting, floodlighting, and decorative lighting applications.

- Integrates patented Powercore technology — Powercore rapidly, efficiently, and accurately controls power output to fixtures directly from line voltage, eliminating the need for an external power supply. Contractor-friendly installation dramatically simplifies installation and lowers total system cost.
- Flexible mounting in architectural applications — Architectural fixtures feature an integrated yoke with canopy base for mounting to standard US junction boxes or directly to a flat surface or substrate as local codes permit.
- Support for a wide range of landscape applications — Landscape fixtures feature a 1/2 in NPT threaded post for mounting to standard junction boxes and third-party accessories such as stanchion mounts, posts, and stakes for use in softscape and hardscape applications.
- Exchangeable optics and accessories — Available 14°, 23°, 41°, and asymmetric 10° x 41° spread lenses project a soft-edge beam to support a wide range of lighting applications. Native 8° beam angle offers extended light projection. Available glare shields block spill light, and honeycomb louvers limit the spread of light for a more focused and intense beam.
- Versatile light positioning — Fixtures can tilt through a full 180°. Architectural fixtures can also rotate through a full 360° for precise aiming. Locking screws accept standard hex wrenches to secure fixtures firmly in position.
- Universal power input range — Accepts a universal power input range of 100 – 277 VAC, allowing the installation of multiple units in a continuous run.
- Dimming capability — Patented DIMand technology offers smooth dimming capability with selected commercially available reverse-phase ELV-type dimmers.
- Outdoor rated — With a rugged, die-cast aluminum housing fully sealed for maximum fixture life and IP66-rated for outdoor applications, eColor Burst Powercore is ideal for use in damp or wet locations.



Two Versions, Two Sizes

eColor Burst Powercore Architectural and Landscape fixtures are available in standard and compact sizes for all accent and site lighting needs.

eColor Burst Powercore Specifications

Due to continuous improvements and innovations, specifications may change without notice.

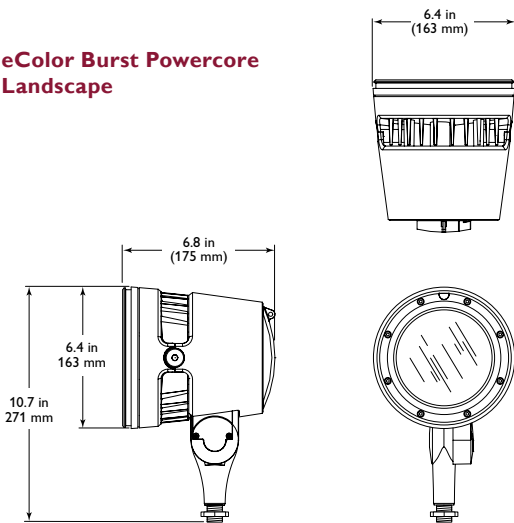
✳ For help estimating the light output and distribution of eColor lighting fixtures, please contact Philips Color Kinetics Applications Engineering Services at support@colorkinetics.com.

Item	Specification	Details
Output	Beam Angle	8° primary optic 14° / 23° / 41° spread lenses 10° x 41° asymmetric spread lens
	Input Voltage	100 – 277 VAC, auto-switching, 50 / 60 Hz
Electrical	Power Consumption	30 W maximum at full output, steady state
Control	Dimming	Compatible with selected commercially available reverse-phase ELV-type dimmers*
Physical	Dimensions (Height x Width x Depth)	10.8 x 8.0 x 6.8 in (274 x 204 x 175 mm) Architectural 10.7 x 6.4 x 6.8 in (271 x 163 x 175 mm) Landscape
	Weight	11 lb (5 kg) Architectural 7.4 lb (3.4 kg) Landscape
	Housing	Die-cast aluminium, powder-coated finish
	Lens	Tempered glass
	Fixture Connections	6 ft (1.8 m) unified power / data cable with flying leads Architectural 6 in (152 mm) flying leads Landscape
	Temperature Ranges	-40° – 122° F (-40° – 50° C) Operating -4° – 122° F (-20° – 50° C) Startup -40° – 176° F (-40° – 80° C) Storage
	Vibration Resistance	ANSI C136.31 (Architectural only)
Certification and Safety	Certification	UL / cUL, FCC Class A, CE, C-Tick, CQC, SAA
	Environment	Dry / Damp / Wet Location, IP66

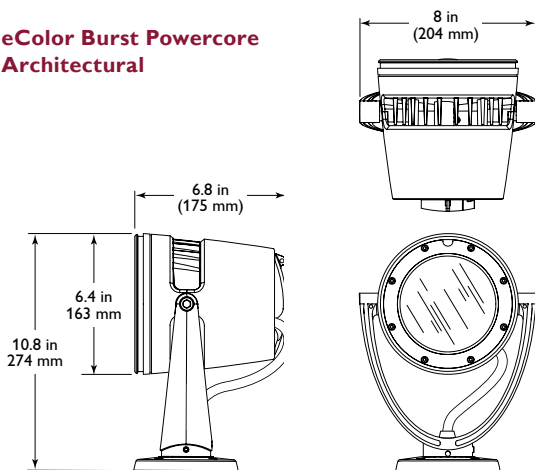
* Refer to www.philipscolorkinetics.com/support/appnotes/ for specific details.



eColor Burst Powercore Landscape



eColor Burst Powercore Architectural



DIMAND™ | **OPTIBIN**™ | **POWERCORE**™
CK TECHNOLOGY | CK TECHNOLOGY | CK TECHNOLOGY

eColor Burst Compact Powercore Specifications

Due to continuous improvements and innovations, specifications may change without notice.

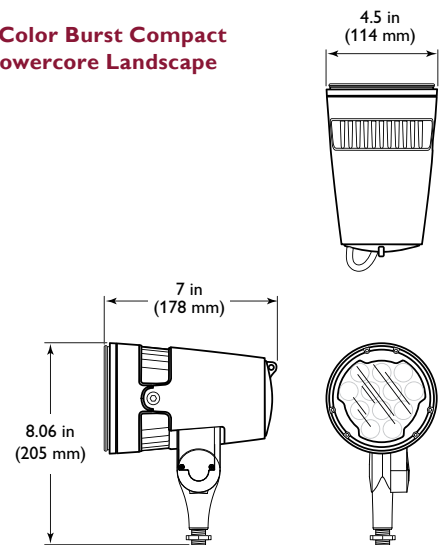
Item	Specification	Details
Output	Beam Angle	8° primary optic
		14° / 23° / 41° spread lenses
		10° x 41° asymmetric spread lens
Electrical	Input Voltage	100 – 277 VAC, auto-switching, 50 / 60 Hz
	Power Consumption	15 W maximum at full output, steady state
Control	Dimming	Compatible with selected commercially available reverse-phase ELV-type dimmers*
Physical	Dimensions (Height x Width x Depth)	9.85 x 4.5 x 7.0 in (250 x 114 x 178 mm) Architectural
		8.06 x 4.5 x 7.0 in (205 x 114 x 178 mm) Landscape
	Weight	8.7 lb (3.9 kg) Architectural
		4.4 lb (2.0 kg) Landscape
	Housing	Die-cast aluminium, powder-coated finish
	Lens	Tempered glass
	Fixture Connections	6 ft (1.8 m) unified power / data cable with flying leads Architectural
6 in (152 mm) flying leads Landscape		
Temperature Ranges	-40° – 122° F (-40° – 50° C) Operating	
	-4° – 122° F (-20° – 50° C) Startup	
	-40° – 176° F (-40° – 80° C) Storage	
Vibration Resistance	ANSI C136.31 (Architectural only)	
Humidity	0 – 95%, non-condensing	
Certification and Safety	Certification	UL / cUL, FCC Class A, CE, C-Tick, CQC, SAA
	Environment	Dry / Damp / Wet Location, IP66

* Refer to www.philipscolorkinetics.com/support/appnotes/ for specific details.

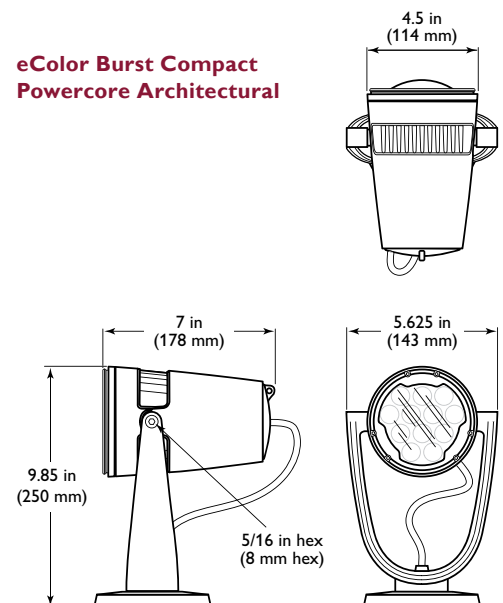


✳ For help estimating the light output and distribution of eColor lighting fixtures, please contact Philips Color Kinetics Applications Engineering Services at support@colorkinetics.com.

eColor Burst Compact Powercore Landscape



eColor Burst Compact Powercore Architectural



Fixtures

eColor Burst Powercore

		Gray Housing		Black Housing		White Housing	
		Item Number	Philips 12NC	Item Number	Philips 12NC	Item Number	Philips 12NC
eColor Burst Powercore Architectural (UL / cUL)	Red	223-000007-06	910503701768	223-000008-06	910503702025	223-000009-06	910503702037
	Green	223-000007-05	910503701769	223-000008-05	910503702024	223-000009-05	910503702036
	Blue	223-000007-04	910503701767	223-000008-04	910503702023	223-000009-04	910503702035
	Amber	223-000007-07	910503701770	223-000008-07	910503702026	223-000009-07	910503702038
eColor Burst Powercore Architectural (CE)	Red	223-000007-10	910503701773	223-000008-10	910503702029	223-000009-10	910503702041
	Green	223-000007-09	910503701772	223-000008-09	910503702028	223-000009-09	910503702040
	Blue	223-000007-08	910503701771	223-000008-08	910503702027	223-000009-08	910503702039
	Amber	223-000007-11	910503701774	223-000008-11	910503702030	223-000009-11	910503702042
eColor Burst Powercore Architectural (CQC)	Red	223-000007-14	910503702075	223-000008-14	910503702079	223-000009-14	910503702083
	Green	223-000007-13	910503702074	223-000008-13	910503702078	223-000009-13	910503702082
	Blue	223-000007-12	910503702073	223-000008-12	910503702077	223-000009-12	910503702081
	Amber	223-000007-15	910503702076	223-000008-15	910503702080	223-000009-15	910503702084
eColor Burst Powercore Landscape (UL / cUL / CE)	Red	223-000007-02	910503701765	223-000008-02	910503702021	223-000009-02	910503702033
	Green	223-000007-01	910503701764	223-000008-01	910503702020	223-000009-01	910503702032
	Blue	223-000007-00	910503701763	223-000008-00	910503702019	223-000009-00	910503702031
	Amber	223-000007-03	910503701766	223-000008-03	910503702022	223-000009-03	910503702034

eColor Burst Compact Powercore

		Gray Housing		Black Housing		White Housing	
		Item Number	Philips 12NC	Item Number	Philips 12NC	Item Number	Philips 12NC
eColor Burst Compact Powercore Architectural (UL / cUL)	Red	223-000036-06	910503702239	223-000036-18	910503702049	223-000036-30	910503702251
	Green	223-000036-05	910503702238	223-000036-17	910503702048	223-000036-29	910503702250
	Blue	223-000036-04	910503702237	223-000036-16	910503702047	223-000036-28	910503702249
	Amber	223-000036-07	910503702240	223-000036-19	910503702050	223-000036-31	910503702252
eColor Burst Compact Powercore Architectural (CE)	Red	223-000036-10	910503702243	223-000036-22	910503702053	223-000036-34	910503702255
	Green	223-000036-09	910503702242	223-000036-21	910503702052	223-000036-33	910503702254
	Blue	223-000036-08	910503702241	223-000036-20	910503702051	223-000036-32	910503702253
	Amber	223-000036-11	910503702244	223-000036-23	910503702054	223-000036-35	910503702256
eColor Burst Compact Powercore Architectural (CQC)	Red	223-000036-38	910503702337	223-000036-42	910503702341	223-000036-46	910503702345
	Green	223-000036-37	910503702336	223-000036-41	910503702340	223-000036-45	910503702344
	Blue	223-000036-36	910503702335	223-000036-40	910503702339	223-000036-44	910503702343
	Amber	223-000036-39	910503702338	223-000036-43	910503702342	223-000036-47	910503702346
eColor Burst Compact Powercore Landscape (UL / cUL / CE)	Red	223-000036-02	910503702235	223-000036-14	910503702045	223-000036-26	910503702247
	Green	223-000036-01	910503702234	223-000036-13	910503702044	223-000036-25	910503702246
	Blue	223-000036-00	910503702233	223-000036-12	910503702043	223-000036-24	910503702245
	Amber	223-000036-03	910503702236	223-000036-15	910503702046	223-000036-27	910503702248

Use Item Number when ordering in North America.

Accessories

Item	Type	Size	Housing Color	Item Number	Philips 12NC	
Trim Ring	Standard		Gray	120-000103-00	910503701212	
			Black	120-000103-06	910503701734	
			White	120-000103-12	910503701737	
	Compact		Gray	120-000103-03	910503701420	
			Black	120-000103-09	910503701823	
			White	120-000103-15	910503701826	
45° Glare Shield	Standard		Gray	120-000103-01	910503701213	
			Black	120-000103-07	910503701735	
			White	120-000103-13	910503701738	
	Compact		Gray	120-000103-04	910503701421	
			Black	120-000103-10	910503701824	
			White	120-000103-16	910503701827	
Full Height Glare Shield	Standard		Gray	120-000103-02	910503701214	
			Black	120-000103-08	910503701736	
			White	120-000103-14	910503701739	
	Compact		Gray	120-000103-05	910503701422	
			Black	120-000103-11	910503701825	
			White	120-000103-17	910503701828	
Honeycomb Louver	Standard		Black	120-000104-00	910503701215	
	Compact		Black	120-000104-01	910503701419	
Spread Lenses	14°	Standard		120-000080-00	910503700609	
		Compact		120-000080-04	910503701415	
	23°	Standard		120-000080-01	910503700610	
		Compact		120-000080-05	910503701416	
	41°	Standard		120-000080-02	910503700611	
		Compact		120-000080-06	910503701417	
	10° x 41° asymmetric	Standard		120-000080-03	910503700612	
		Compact		120-000080-07	910503701418	

* You can attach either one Honeycomb Louver or one Spread Lens at a time.

Use Item Number when ordering in North America.

Installation

eColor Burst Powercore LED fixtures offer a wash of high-intensity colored light for spotlighting, site lighting, and accent lighting. Powercore delivers line voltage directly to the fixture and eases installation by eliminating the need for external power supplies or special wiring.

✳ Refer to the eW / eColor Burst Powercore Installation Instructions for specific warning and caution statements.

✳ For exterior applications with direct exposure to water, Burst Powercore fixtures should not be aimed directly upwards, as water may pool on the lens and affect beam quality. Instead, the fixture should be angled to allow for proper water drainage.

Owner / User Responsibilities

It is the responsibility of the contractor, installer, purchaser, owner, and user to install, maintain, and operate eColor Burst Powercore fixtures in such a manner as to comply with all applicable codes, state and local laws, ordinances, and regulations. Consult with the appropriate electrical inspector to ensure compliance.

Installing in Damp or Wet Locations

When installing in damp or wet locations, it is good practice to seal all fixtures and junction boxes with electronics-grade RTV silicone sealant to ensure that moisture cannot enter or accumulate in any wiring compartments, cables, or other electrical parts. You must use suitable outdoor-rated junction boxes when installing in wet or damp locations. Additionally, you must use gaskets, clamps, and other parts required for installation to comply with all applicable local and national codes

Prepare for the Installation

1. Carefully inspect the box containing eColor Burst Powercore and the contents for any damage that may have occurred in transit.

2. Ensure that all additional parts and tools are available, including:

eColor Burst Powercore Architectural Installations

- The provided stainless steel screws for outdoor installations
- The provided junction box gasket for outdoor installations
- Unless surface-mounting, one 4 in (102 mm) round US electrical junction box per fixture, rated for your application, with 3.5 in (89 mm) center-to-center screw holes for attaching the fixture's base. (Refer to the manufacturer's literature for additional items required for mounting or sealing.)
- A 6 mm hex wrench for fixture tilting and locking
- A 1/8 in hex wrench for fixture swiveling and locking

eColor Burst Powercore Landscape Installations

- The provided locking nut
- One electrical junction box or mounting accessory per fixture, rated for your application. (Refer to the junction box or accessory manufacturer's literature for specific information on mounting or sealing.)
- A 6 mm hex wrench for fixture tilting and locking
- A 33 mm wrench for locking the fixture in place

All Installations

- A sufficient length 3-conductor wire. We recommend 12 AWG (2.05 mm) stranded copper wire.
- Conduit as required
- Electronics-grade room temperature vulcanizing (RTV) silicone sealant as required
- A 5/32 in hex wrench for installing accessories

Included in the box

eColor Burst Powercore Architectural

eColor Burst Powercore Architectural fixture

(4) 10-24 stainless steel screws for outdoor installation

Junction box gasket

Installation Instructions

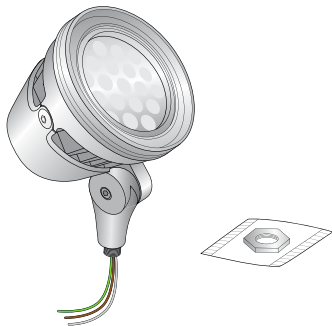


eColor Burst Powercore Landscape

eColor Burst Powercore Landscape fixture

Locking nut

Installation Instructions



Connect and Mount eColor Burst Powercore Fixtures

eColor Burst Powercore fixtures can be installed in series or in parallel (wired to a common junction box).

- eColor Burst Powercore Architectural fixtures feature a canopy base for mounting to standard US junction boxes. Fixtures can be mounted directly to a surface or substrate by removing the nylon cable clamp and disengaging the 6 ft (1.8 m) integrated power cable from the canopy base.
- eColor Burst Powercore Landscape fixtures feature a 1.2 in NPT threaded post for mounting to standard junction boxes and third-party mounting accessories such as stanchion mounts, posts, and stakes.

eColor Burst Powercore fixtures can be controlled either with standard wall switches (on / off) or selected commercially available reverse-phase ELV-type dimmers. Refer to the installation instructions included with the wall or dimmer switch for installing and wiring information.

Make sure the power is OFF before mounting and connecting eColor Burst Powercore fixtures.

Connecting eColor Burst Powercore Architectural Fixtures to Junction Boxes

1. Mount junction boxes in accordance with the lighting design plan. Each fixture is designed for mounting in a 4 in (102 mm) round US electrical junction box, rated for your application, with 3.5 in (89 mm) center-to-center screw holes for attaching the fixture's base.

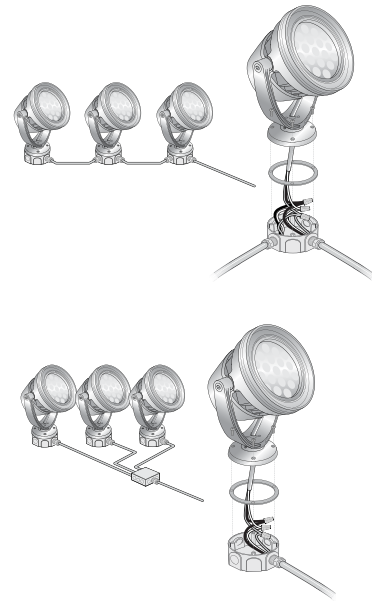
Architectural fixtures are supplied with a grounding wire attached to the fixture's base (canopy). The canopy ground wire can be attached to a grounding point in the junction box, or connected with the ground in the fixture cable.

2. If installing fixtures in a series, pull 3-conductor copper wire between the junction boxes. If installing fixtures in parallel, pull 3-conductor copper wire from line power to a common junction box, and from the common junction box to each fixture's junction box.

We recommend the use of 12 AWG (2.05 mm), stranded 3-conductor copper wire.

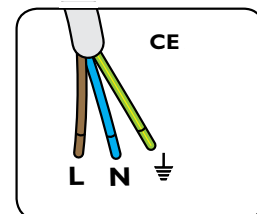
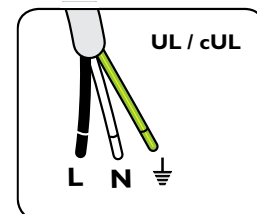
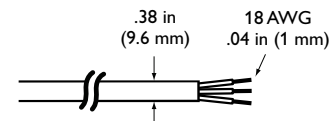
3. Trim the cable from the fixture to fit in the junction box, leaving enough cable to make wiring connections.
4. If installing in a damp or wet location, insert the fixture cable through the provided junction box gasket before making wire connections. When attaching the fixture to the junction box, ensure that the gasket is compressed evenly.

Install fixtures in series or in parallel



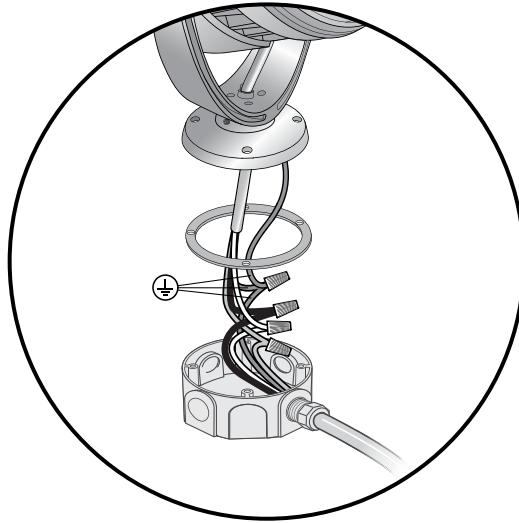
⊛ Ensure that all junction boxes are suitable for the environment and that all wiring between junction boxes complies with local codes.

Fixture cable dimensions



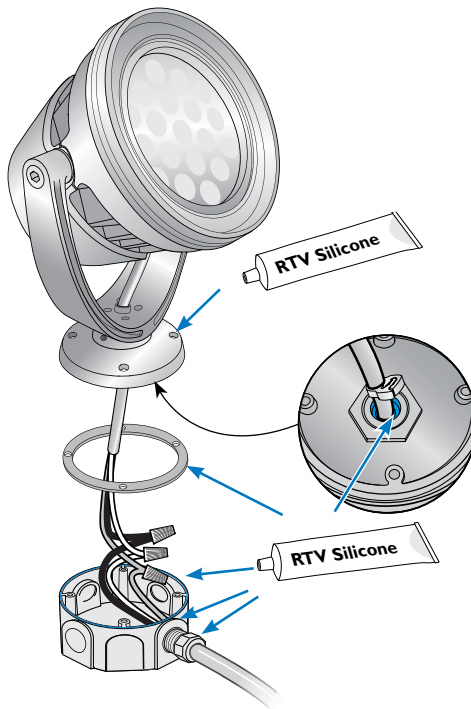
5. Use wire nuts to connect line, neutral, ground, and data.

Attach the canopy ground wire to a grounding point in the junction box, or combine it with the fixture cable ground with a wire nut.



6. Tuck wire connections into the junction box.

7. Screw the fixture's canopy base into the junction box using the four provided 10-24 stainless steel screws. If installing in a damp or wet location, seal all junction boxes with electronics-grade RTV silicone sealant. Use gaskets, clamps, and other parts and fittings required to comply with local outdoor wiring codes.

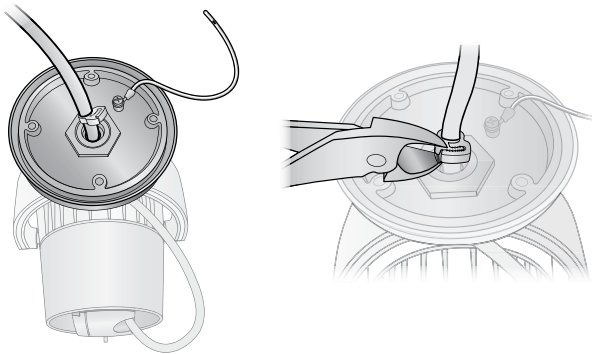
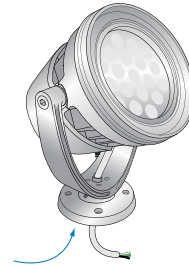


8. If installing in parallel, connect the wires from each fixture to the lead wire from the line power source in the common junction box.
9. Connect the wire from the first fixture in the series to the line power source if installing in series, or from the common junction box to the line power source if installing in parallel.

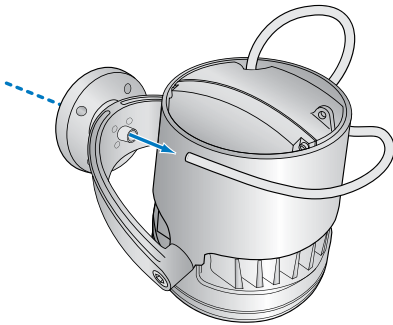
Surface-Mounting eColor Burst Powercore Architectural Fixtures

1. Prepare eColor Burst Powercore Architectural fixtures for surface-mounting:

- Remove the nylon cable clamp from the fixture's leader cable where it exits the underside of the canopy base.



- Disengage the leader cable from the fixture's canopy base.



2. Mount junction boxes in accordance with the lighting design plan.
3. Position each eColor Burst Powercore Architectural fixture in its designated mounting location. Make sure the mounting surface is flat, suitable for the mounting hardware, and clear of debris and any other obstructions.
4. Use four suitable mounting screws to secure each eColor Burst Powercore Architectural fixture to the mounting location.
5. If installing fixtures in a series, pull 3-conductor copper wire between the junction boxes. If installing fixtures in parallel, pull 3-conductor copper wire from line power to a common junction box, and from the common junction box to each fixture's junction box.

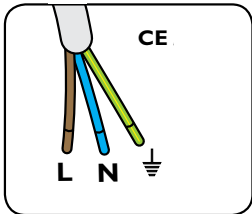
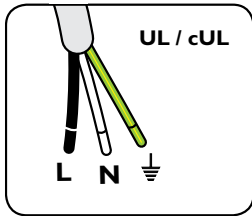
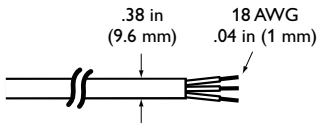
***** Ensure that all junction boxes are suitable for the environment and that all wiring between junction boxes complies with local codes.



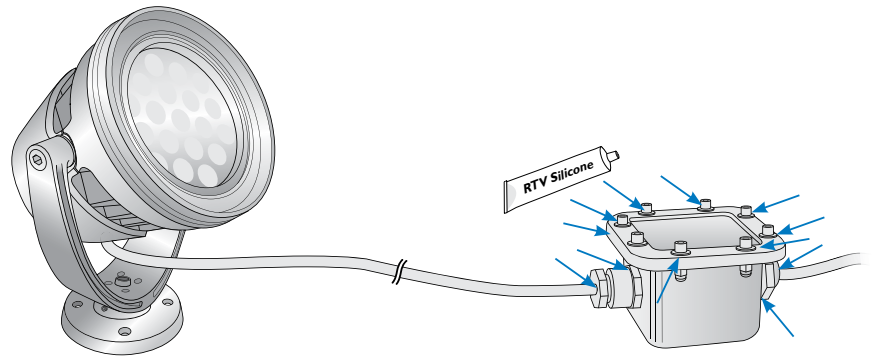
We recommend the use of 12 AWG (2.05 mm), stranded 3-conductor copper wire.

6. Use wire nuts to connect line, neutral, and ground, and tuck wire connections into the junction box.

Fixture cable dimensions



7. Secure all junction box covers. If installing in a damp or wet location, seal all junction boxes with electronics-grade RTV silicone sealant. Use gaskets, clamps, and other parts and fittings required to comply with local outdoor wiring codes.



8. If installing in parallel, connect the wires from each fixture to the lead wire from the line power source in the common junction box.
9. Connect the wire from the first fixture in the series to the line power source if installing in series, or from the common junction box to the line power source if installing in parallel.

Connecting and Mounting eColor Burst Powercore Landscape Fixtures

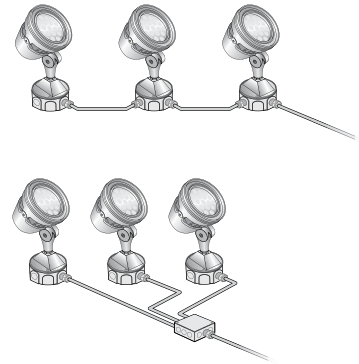
eColor Burst Powercore Landscape fixtures feature a 1/2 in NPT threaded post for installing to standard junction boxes, stanchion mounts, posts, stakes, and other landscape mounting accessories.

Make sure the power is OFF before mounting and connecting eColor Burst Powercore fixtures.

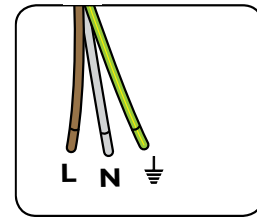
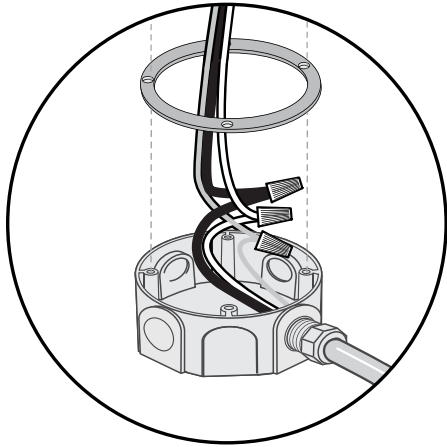
1. Mount junction boxes and any landscape mounting accessories in accordance with the lighting design plan.
2. If installing fixtures in a series, pull 3-conductor copper wire between the junction boxes. If installing fixtures in parallel, pull 3-conductor copper wire from line power to a common junction box, and from the common junction box to each fixture's junction box.

We recommend the use of 12 AWG (2.05 mm), stranded 3-conductor copper wire.

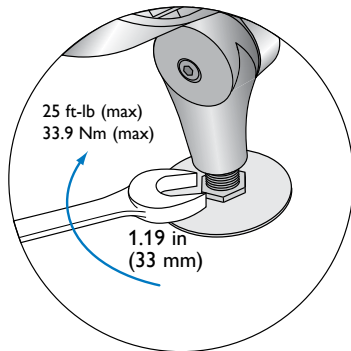
3. Thread the locking nut onto the eColor Burst Powercore Landscape threaded post.
4. If installing in a damp or wet location, insert the fixture cable through a junction box gasket before making wire connections. When attaching the junction box cover, ensure that the gasket is compressed evenly.



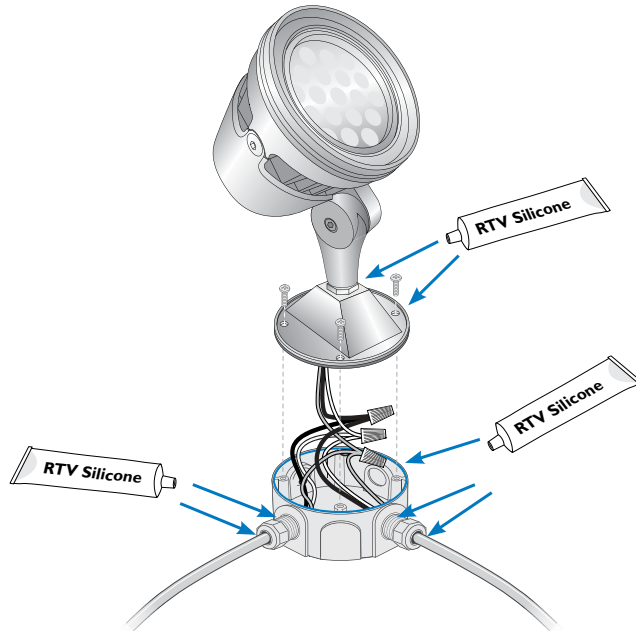
✳️ Ensure that all junction boxes are suitable for the environment and that all wiring between junction boxes complies with local codes.



5. Use wire nuts to connect line, neutral, and ground.
6. Tuck wire connections into the junction box or mounting accessory.
7. Using a 33 mm wrench, torque the locking nut to 25 ft-lb (33.9 Nm). Do not overtighten.



- If installing in a damp or wet location, seal all junction boxes and mounting accessories with electronics-grade RTV silicone sealant. Use gaskets, clamps, and other parts and fittings required to comply with local outdoor wiring codes.



- If installing in parallel, connect the wires from each fixture to the lead wire from the line power source in the common junction box.
- Connect the wire from the first fixture in the series to the line power source if installing in series, or from the common junction box to the line power source if installing in parallel.

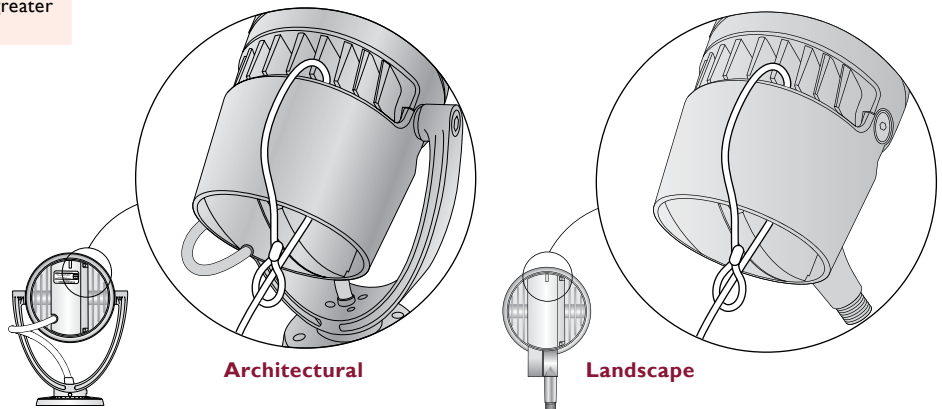
Attach Safety Cable (optional)

When installing eColor Burst Powercore fixtures to a wall or overhead, use a safety cable to tether it to a secure anchor point. When dictated by local or state code or advised by a structural engineer, attach a safety cable to the eColor Burst Powercore fixture housing and tether it to a secure anchor point.

Safety cable minimum requirements

Material	304 or 316 Stainless Steel
Size	5/32 in (4 mm) nominal diameter Minimum break load must be greater than 2,400 lb (1089 kg)

- Thread a safety cable through the fixture housing as shown.



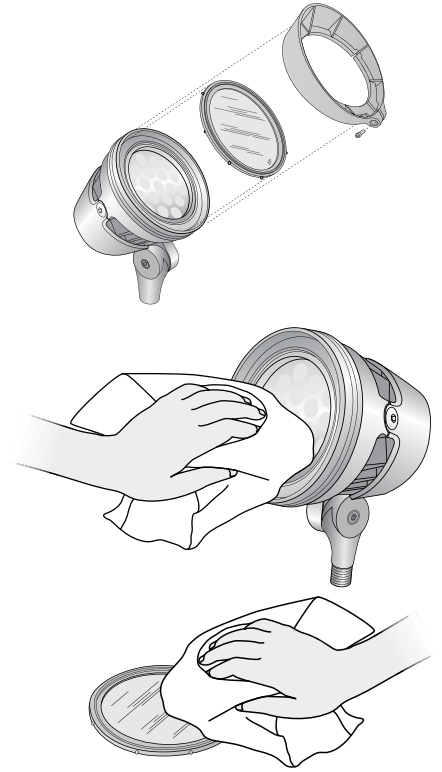
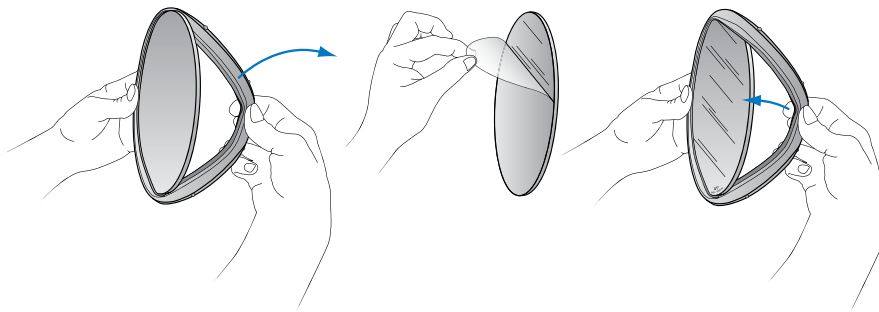
- Attach the safety cable to the mounting surface using a method that follows the code or engineer's requirements.

Attach Accessories (Optional)

Honeycomb Louvers and exchangeable Spread Lenses of 14°, 23°, 41°, and an asymmetric 10° x 41° support a variety of photometric distributions for a multitude of applications.

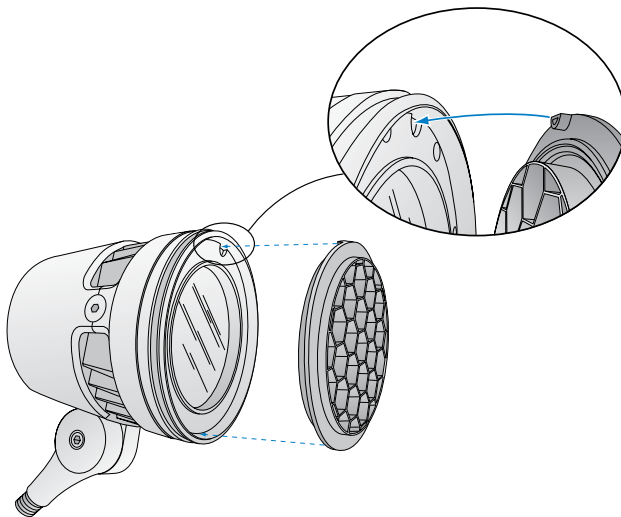
You attach Honeycomb Louvers and Spread Lenses with the Trim Ring, 45° Glare Shield, or Full Height Glare Shield, available separately. You can attach either one Honeycomb Louver or one Spread Lens at a time.

1. Unpack and confirm the contents of the box. Each accessory is shipped one per box. Spread Lenses include an attached rubber gasket. The Trim Ring, 45° Glare Shield, and Full Height Glare Shield include an attached locking screw.
2. Clean the face of the eColor Burst Powercore housing, including glass surfaces, using a mild, non-abrasive cleaner. Ensure that all surfaces are dry. If using a spread lens, also clean and dry both sides of the spread lens.
3. If using a spread lens, remove the protective film from the side of the lens on which the beam angle is printed.



4. Position the honeycomb louver or spread lens:

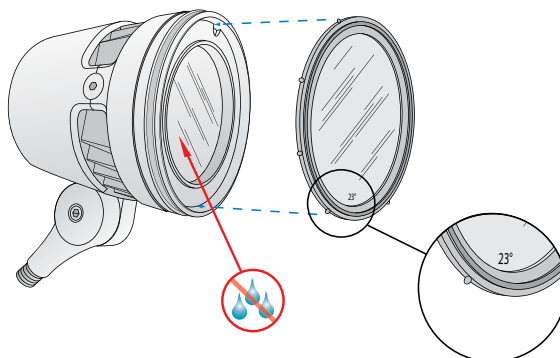
- If using the honeycomb louver, insert the tab on the honeycomb louver into the notch on the face of the eColor Burst Powercore fixture housing.



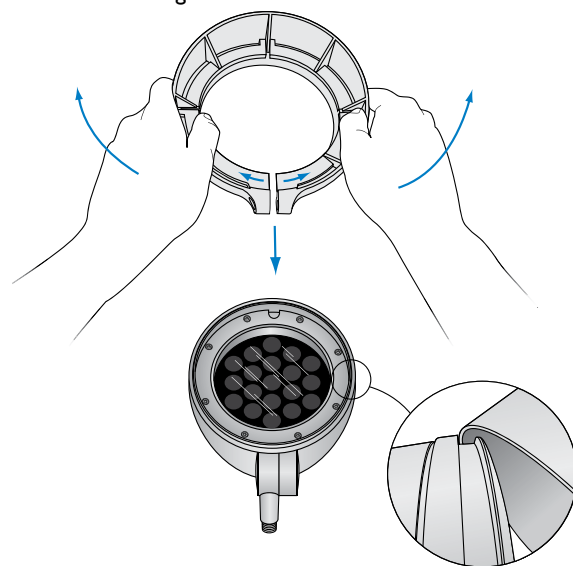


- If using a spread lens, make sure that the beam-angle designation on the edge of the lens is face up. Handle the spread lens by the gasket, making sure not to touch or soil either surface of the spread lens. Rest the lens against the face of the eColor Burst Powercore housing. Make sure that there is no moisture between the spread lens and the glass lens, as any moisture will compromise the effectiveness of the spread lens.

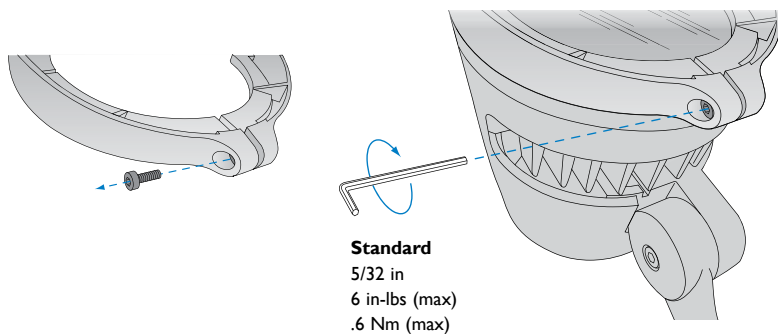
✳ Rotating the asymmetric 10° x 41° spread lens changes its effect on the fixture's light output. You may want to rough-in the spread lens position, fine-tune it when aiming and locking the fixture, then lock down the trim ring or glare shield once the lens is positioned to give the desired results.



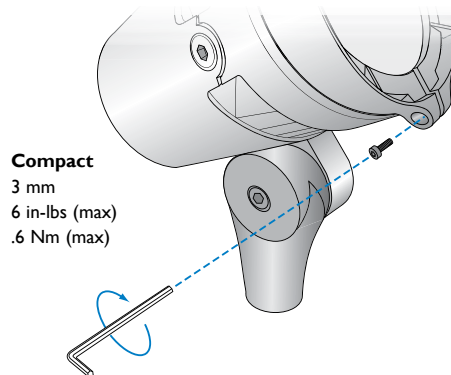
5. If necessary, use a 5/32 in hex wrench to remove the locking screw from the trim ring or glare shield.
6. Grab the trim ring or glare shield with both hands, flex it gently open, and clip it to the front rim of the fixture housing.



7. Insert the locking screw into the opening on the trim ring or glare shield. Use a 5/32 in hex wrench and torque to 6 in-lbs (.6 Nm). For eColor Burst Compact Powercore, use a 3 mm hex wrench.



Standard
5/32 in
6 in-lbs (max)
.6 Nm (max)



Compact
3 mm
6 in-lbs (max)
.6 Nm (max)

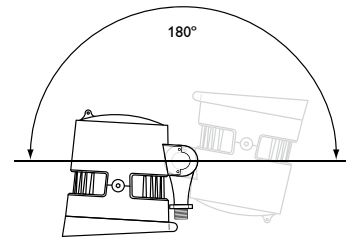
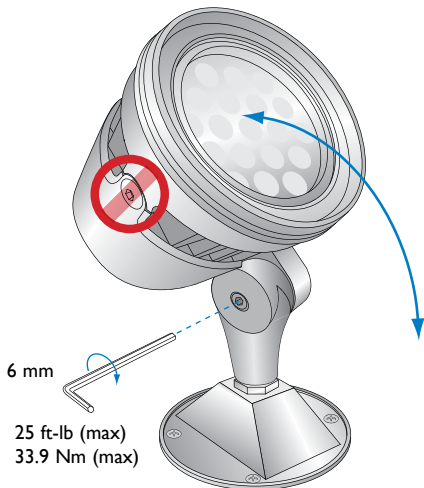
Aim and Lock Fixtures

eColor Burst Powercore fixtures can tilt through a full 180°. eColor Burst Powercore Architectural fixtures can also rotate through a full 360° for precise aiming. Locking nuts require standard hex wrenches to secure fixtures firmly in position.

Make sure power is ON before aiming fixtures.

Aiming and Locking eColor Burst Powercore Landscape Fixtures

1. Using a 6 mm hex wrench, loosen the locking nut on the side of the fixture base.
2. Aim the fixture by tilting the beam as desired.
3. When the fixture is aimed as desired, re-tighten the locking nut to secure the fixture in place. Torque to 25 ft-lbs (33.9 Nm). Do not over-tighten.



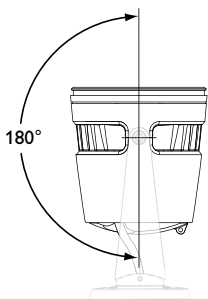
* Do not look directly into the beam when aiming and locking.

* For exterior applications with direct exposure to water, Burst Powercore fixtures should not be aimed directly upwards, as water may pool on the lens and affect beam quality. Instead, the fixture should be angled to allow for proper water drainage.

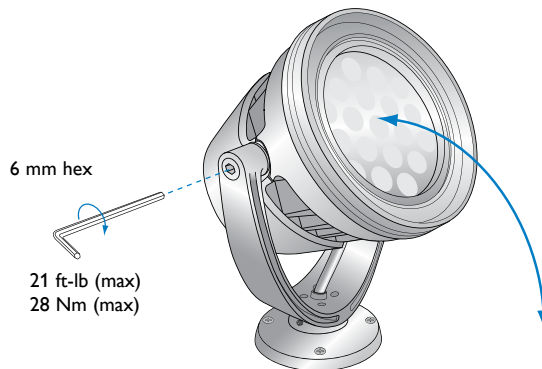
Aiming and Locking eColor Burst Powercore Architectural Fixtures

1. To tilt the beam:

- Loosen the locking nuts on either side of the fixture yoke using a 5/16 in or 8 mm hex wrench.
- Tilt the beam as desired.
- Re-tighten the locking nuts to secure the fixture in place. Torque to 21 ft-lbs (28 Nm). Do not over-tighten.

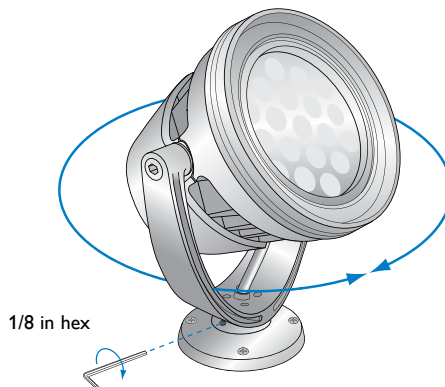
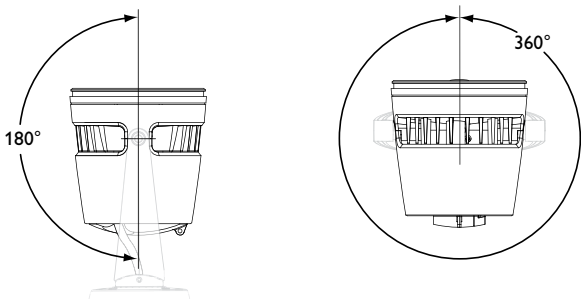


⚠ For exterior applications with direct exposure to water, Burst Powercore fixtures should not be aimed directly upwards, as water may pool on the lens and affect beam quality. Instead, the fixture should be angled to allow for proper water drainage.



2. To rotate the fixture:

- Loosen the locking nuts on either side of the fixture yoke's base using a 1/8 in or 3 mm hex wrench.
- Rotate the fixture as desired.
- Re-tighten the locking nuts to secure the fixture in place.





Philips Color Kinetics
3 Burlington Woods Drive
Burlington, Massachusetts 01803 USA
Tel 888.385.5742
Tel 617.423.9999
Fax 617.423.9998
www.philipscolorkinetics.com
@ColorKinetics

Copyright © 2011 - 2014 Philips Solid-State Lighting Solutions, Inc. All rights reserved.
Chromacore, Chromasic, CK, the CK logo, Color Kinetics, the Color Kinetics logo, ColorBlast,
ColorBlaze, ColorBurst, ColorGraze, ColorPlay, ColorReach, iW Reach, eW Reach, eW Fuse,
DIMand, EssentialWhite, eW, iColor, iColor Cove, IntelliWhite, iW, iPlayer, Optibin, and Powercore
are either registered trademarks or trademarks of Philips Solid-State Lighting Solutions, Inc. in
the United States and / or other countries. All other brand or product names are trademarks
or registered trademarks of their respective owners. Due to continuous improvements and
innovations, specifications may change without notice. DAS-000097-00 R03 09-14