

# eColor Blast Powercore

The world's leading exterior LED wash fixture with solid color light



# eColor Blast Powercore

## The world's leading exterior LED wash fixture with solid color light

eColor Blast Powercore is an LED lighting fixture providing a high-intensity wash of colored light while offering superior energy efficiency. Rated for outdoor use, eColor Blast Powercore offers the efficiency and cost-effectiveness of Powercore technology in a rugged die-cast aluminum housing. eColor Blast Powercore is ideal for applications as diverse as highlighting architectural features, lighting signage, and accent lighting in retail and other interior spaces.

- Integrates patented Powercore technology — Powercore technology rapidly, efficiently, and accurately controls power output to eColor Blast Powercore fixtures directly from line voltage, supporting long fixture runs and eliminating the need for external power supplies. Contractor-friendly installation using standard mounting and wiring dramatically simplifies installation and helps lower total system cost.
- Extremely low-maintenance operation — With long useful source life, eColor Blast Powercore can significantly reduce or eliminate maintenance problems, allowing the use of colored lighting in spaces where lamp maintenance may be impossible. For example, you can effectively highlight building features from positions accessible only by crane.
- Versatile lighting options — eColor Blast Powercore is available in solid red, green, blue, and amber, and four beam angles: 23° and 36° for soft edges, 86° with no optic for uniformly washing façades, and 10° for extended light projection. Rugged die-cast aluminum housing is available in white or black.
- Flexible light positioning — Fixtures can be mounted to a junction box on a wall, ceiling, or floor for maximum flexibility. Locking base swivel offers friction-free rotation of up to 350°, and 110° fixture tilting provides quick fixture positioning without special tools.
- Support for multiple voltages — Accepts power input of 100, 120, 240, and 277 VAC, allowing installation and operation from line voltage in a variety of locations.
- Dimming capability — Patented DIMand technology offers smooth dimming capability with selected commercially available reverse-phase ELV-type dimmers.

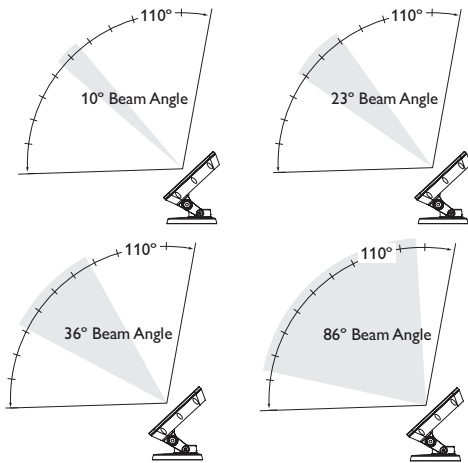


### **Outdoor Rated**

Fully sealed for maximum fixture life, eColor Blast Powercore fixtures meet or exceed specifications for use in wet locations.

# eColor Blast Powercore Specifications

Due to continuous improvements and innovations, specifications may change without notice.



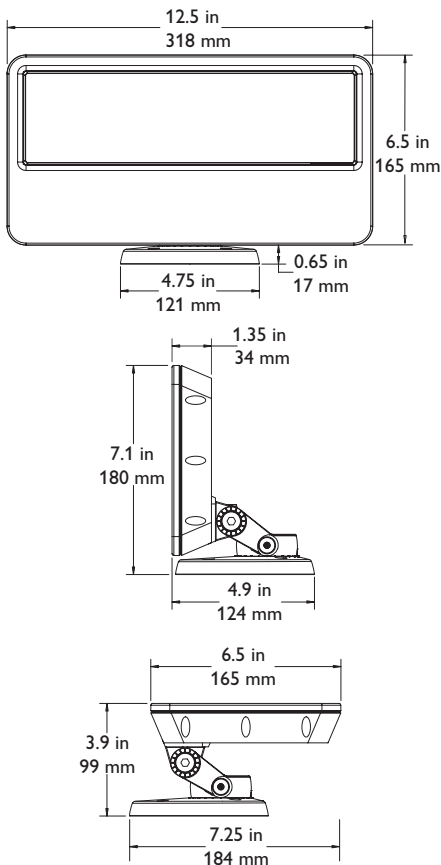
✳ For help estimating the light output and distribution of eColor lighting fixtures, please contact Philips Color Kinetics Applications Engineering Services at [support@colorkinetics.com](mailto:support@colorkinetics.com).

Item	Specification	Details
Output	Beam Angle	10° / 23° / 36° / 86°
Electrical	Input Voltage	100 / 120 / 240 / 277 VAC, auto-switching, 50 / 60 Hz
	Power Consumption	50 W maximum at full output, steady state
Control	Dimming	Compatible with selected commercially available reverse-phase ELY-type dimmers*
Physical	Dimensions (Height x Width x Depth)	7.1 x 12.5 x 4.9 in (180 x 318 x 124 mm)
	Weight	6.4 lb (2.9 kg)
	Housing	Die-cast aluminium, powder-coated finish.
	Lens	Clear tempered glass (10° and 86° beam angles) Frosted tempered glass (23° and 36° beam angles)
	Fixture Connections	6 ft (1.8 m) unified power / data cable
	Temperature Ranges	-40° – 122° F (-40° – 50° C) Operating -4° – 122° F (-20° – 50° C) Startup -40° – 176° F (-40° – 80° C) Storage
	Humidity	0 – 95%, non-condensing
Certification and Safety	Certification	UL / cUL, FCC Class B, CE
	Environment	Dry / Damp / Wet Location, IP66

\* See [www.philipscolorkinetics.com/support/appnotes/](http://www.philipscolorkinetics.com/support/appnotes/) for specific details.



OPTIBIN<sup>®</sup> | POWERCORE<sup>®</sup> | DIMAND<sup>®</sup>  
CKTECHNOLOGY | CKTECHNOLOGY | CKTECHNOLOGY



# Fixtures

Item	Housing Color	Beam Angle	Item Number	Philips 12NC
eColor Blast Powercore Red UL / cUL / CE	White	86° (no optic)	223-000011-30	910503702425
		36° (frosted lens)	223-000011-28	910503702423
		23° (frosted lens)	223-000011-26	910503702421
		10° (clear lens)	223-000011-24	910503702419
	Black	86° (no optic)	223-000011-31	910503702426
		36° (frosted lens)	223-000011-29	910503702424
		23° (frosted lens)	223-000011-27	910503702422
		10° (clear lens)	223-000011-25	910503702420
eColor Blast Powercore Green UL / cUL / CE	White	86° (no optic)	223-000011-14	910503702409
		36° (frosted lens)	223-000011-12	910503702407
		23° (frosted lens)	223-000011-10	910503702405
		10° (clear lens)	223-000011-08	910503702403
	Black	86° (no optic)	223-000011-15	910503702410
		36° (frosted lens)	223-000011-13	910503702408
		23° (frosted lens)	223-000011-11	910503702406
		10° (clear lens)	223-000011-09	910503702404
eColor Blast Powercore Blue UL / cUL / CE	White	86° (no optic)	223-000011-06	910503702401
		36° (frosted lens)	223-000011-04	910503702398
		23° (frosted lens)	223-000011-02	910503702396
		10° (clear lens)	223-000011-00	910503702328
	Black	86° (no optic)	223-000011-07	910503702402
		36° (frosted lens)	223-000011-05	910503702399
		23° (frosted lens)	223-000011-03	910503702397
		10° (clear lens)	223-000011-01	910503702395
eColor Blast Powercore Amber UL / cUL / CE	White	86° (no optic)	223-000011-22	910503702417
		36° (frosted lens)	223-000011-20	910503702415
		23° (frosted lens)	223-000011-18	910503702413
		10° (clear lens)	223-000011-16	910503702411
	Black	86° (no optic)	223-000011-23	910503702418
		36° (frosted lens)	223-000011-21	910503702416
		23° (frosted lens)	223-000011-19	910503702414
		10° (clear lens)	223-000011-17	910503702412

Use Item Number when ordering in North America.

## Included in the box

eColor Blast Powercore fixture
(2) 8-32 screws for indoor installation
(4) 10-24 stainless steel screws for outdoor installation
1/8 in hex key wrench for fixture positioning and locking
Junction box gasket
Installation Instructions

## Accessories

Designed specifically for the family of Blast fixtures, accessories provide additional options for controlling and dispersing light. Accessory holders snap to the front of the fixture and are required for mounting accessories. Accessory holders prevent accessories from falling out if the fixture is tipped or hung upside down.

Item	Housing Color	Item Number	Philips 12NC	
	White	120-000070-00	910503702864	
	Black	120-000070-01	910503702863	
	White	120-000005-03	910503702847	
	Black	120-000005-04	910503702848	
	White	120-000009-03	910503702843	
	Black	120-000009-04	910503702844	
	White	120-000015-03	910503702851	
	Black	120-000015-04	910503702852	
	White	120-000019-03	910503702855	
	Black	120-000019-04	910503702856	
	Horizontal Glass Spread Lens*	36° (ribs out) / 50° (ribs in)	120-000025-00	910503703897
	Horizontal / Vertical Glass Spread Lens*	40°	120-000025-01	910503703898

\* Intended for use with Blast fixtures with 10° clear lens

Use Item Number when ordering in North America.

# Installation

eColor Blast Powercore is an LED wash light providing high-intensity colored light while offering superior energy efficiency. Powercore, which delivers line voltage directly to the fixture, eases installation by eliminating the need for external power supplies or special wiring.

## Owner/User Responsibilities

It is the responsibility of the contractor, installer, purchaser, owner, and user to install, maintain, and operate eColor Blast Powercore fixtures in such a manner as to comply with all applicable codes, state and local laws, ordinances, and regulations. Consult with the appropriate electrical inspector to ensure compliance.

## Installing in Damp or Wet Locations

When installing in damp or wet locations, it is good practice to seal all fixtures and junction boxes with electronics-grade RTV silicone sealant to ensure that moisture cannot enter or accumulate in any wiring compartments, cables, or other electrical parts. You must use suitable outdoor-rated junction boxes when installing in damp or wet locations. Additionally, you must use gaskets, clamps, and other parts required for installation to comply with all applicable local and national codes.

✳ Refer to the eColor Blast Powercore Installation Instructions for specific warning and caution statements.

✳ For exterior applications with direct exposure to water, Blast Powercore fixtures should not be aimed directly upwards, as water may pool on the lens and affect beam quality. Instead, angle the fixture to allow for proper water drainage.

# Assemble Additional Parts and Tools

Ensure that all additional parts and tools are available, including:

- The provided 8-32 screws for indoor installations, or the 10-24 stainless steel screws for outdoor installations
- The provided 1/8 in hex key wrench
- One 4 in (102 mm) round US electrical junction box per fixture, rated for your application, with 3.5 in (89 mm) center-to-center screw holes for attaching the fixture's base. (Refer to the manufacturer's literature for additional items required for mounting or sealing.)
- The provided junction box gasket
- A sufficient length of 3-conductor copper wire
- Conduit as required
- Electronics-grade room temperature vulcanizing (RTV) silicone sealant as required

## Included in the box

eColor Blast Powercore fixture
(2) 8-32 screws for indoor installation
(4) 10-24 stainless steel screws for outdoor installation
1/8 in hex key wrench for fixture positioning and locking
Junction box gasket
Installation Instructions

# Install the Fixtures

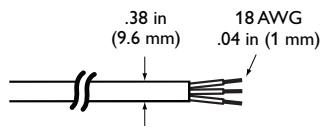
eColor Blast Powercore fixtures can be installed in series or in parallel (wired to a common junction box). Each fixture requires a dedicated junction box for mounting. Ensure that all junction boxes are suitable for the environment and that all wiring between junction boxes complies with local codes.

eColor Blast Powercore fixtures can be controlled either with a standard wall switch (on / off) or selected commercially available reverse-phase ELV-type dimmers. Refer to the installation instructions included with the wall or dimmer switch for installation and wiring information.

✳️ In locations where US junction boxes are not available, you can mount fixtures directly to a wall or other mounting surface. For help with your specific installation, consult your local support organization, or contact Application Engineering Services at [support@colorkinetics.com](mailto:support@colorkinetics.com).

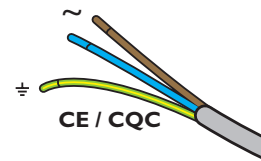
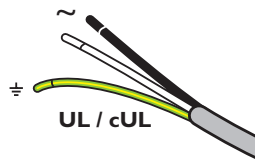
✳️ When installing eColor Blast Powercore fixtures, the input earth ground, canopy earth ground, and fixture cable earth ground must all be connected together.

### Fixture cable dimensions



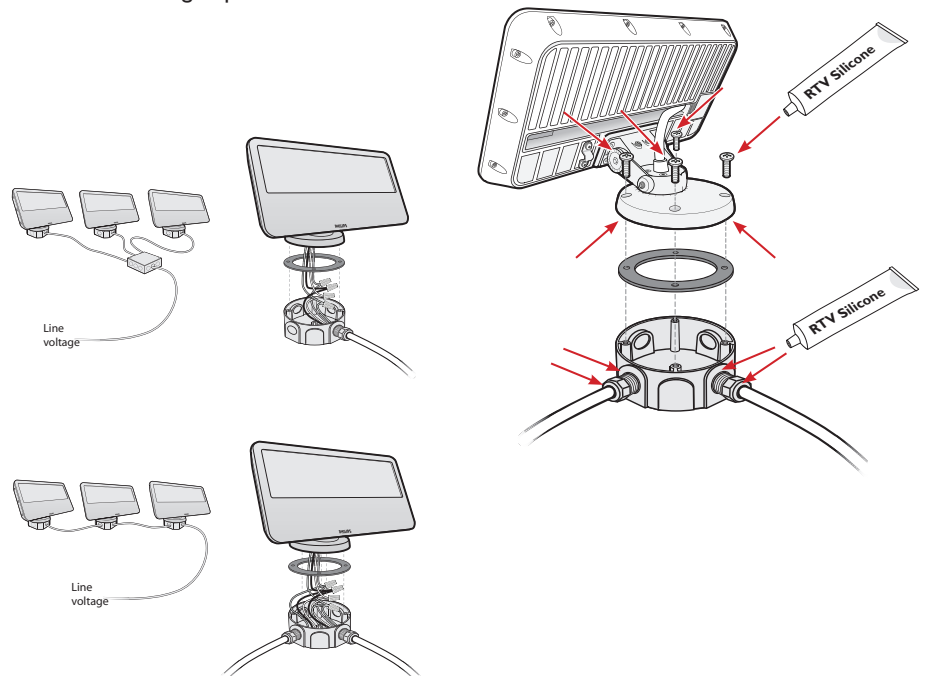
Make sure the power is OFF before mounting and connecting fixtures.

1. Install junction boxes. (Refer to the manufacturer's literature for additional items required for mounting or sealing.)
2. If installing fixtures in a series, pull 3-conductor copper wire between the junction boxes. If installing fixtures in parallel, pull 3-conductor copper wire from a common junction box, and from the common junction box to each fixture's junction box.
3. Trim the cable from the fixture to fit in the junction box, leaving enough cable to make wiring connections.
4. Insert the fixture cable through the provided junction box gasket before making wire connections. When attaching the fixture to the junction box, ensure that the gasket is compressed evenly.
5. For UL / cUL installations, use wire nuts to connect line (black), neutral (white), and ground (green). For CE installations, use wire nuts to connect line (brown), neutral (blue), and ground (green / yellow).



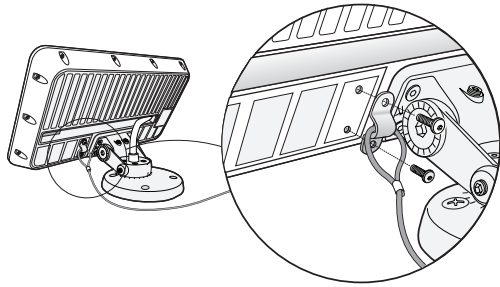
6. Tuck wire connections into the junction box, and use the provided screws to attach the fixture to the junction box.
7. If installing in a damp or wet location, seal all junction boxes with electronics-grade RTV silicone sealant. Use gaskets, clamps, and other parts and fittings required to comply with local outdoor wiring codes.
8. If installing in parallel, connect the wires from each fixture to the lead wire from the line power source in the common junction box.
9. Connect the wire from the first fixture in the series to the line power source if installing in series, or from the common junction box to the line power source if installing in parallel.

✳️ Wiring between junction boxes must comply with local codes.



## Attach Safety Cable (Optional)

Each eColor Blast Powercore fixture is designed for use with a safety cable to tether the fixture to a secure anchor point. When dictated by local or state code or advised by a structural engineer, attach a safety cable to the bracket located on the back of the fixture. Remove the two screws that attach the cable bracket, loop the safety cable over the cable bracket, and reattach to the fixture. Attach the safety cable to the mounting surface using a method that follows the code or engineer's requirements.



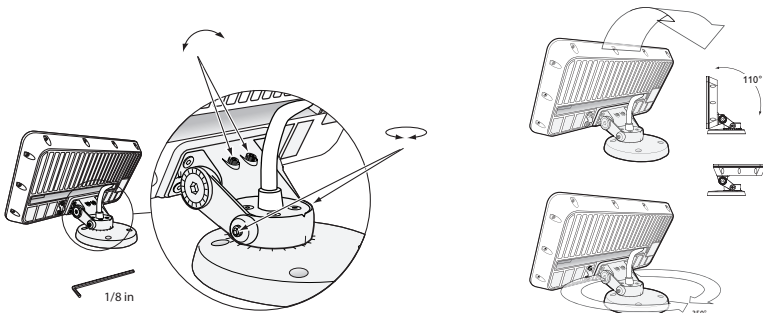
### Safety cable minimum requirements

Material	316 Stainless Steel
Size	5/64 to 3/16 in (2.0 to 4.8 mm) nominal diameter. Minimum break load must be greater than 400 lb (181 kg)
Construction	7 x 7 (49 wires) preformed stranded

## Aim and Lock the Fixtures

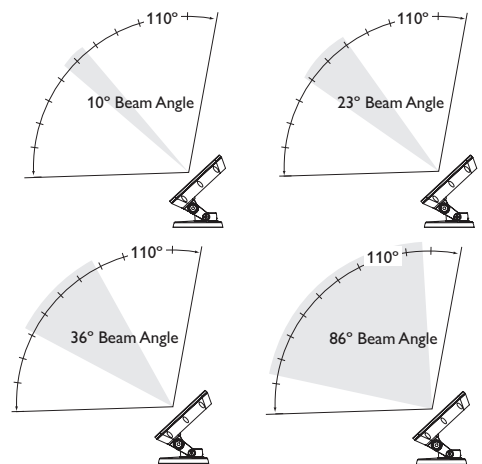
Make sure the power is ON before aiming and locking the fixtures.

Using the provided 1/8" hex key wrench, loosen the rotation and tilting set screws. Aim the fixtures by rotating the base and tilting the beam as desired. Tighten the two pairs of set screws to lock the fixture in place.



**\*** Do not look directly into the fixture when aiming and locking.

**\*** For exterior applications with direct exposure to water, Blast Powercore fixtures should not be aimed directly upwards, as water may pool on the lens and affect beam quality. Instead, the fixture should be angled to allow for proper water drainage.



Philips Color Kinetics  
 3 Burlington Woods Drive  
 Burlington, Massachusetts 01803 USA  
 Tel 888.385.5742  
 Tel 617.423.9999  
 Fax 617.423.9998  
[www.philipscolorkinetics.com](http://www.philipscolorkinetics.com)

Copyright © 2011 - 2012 Philips Solid-State Lighting Solutions, Inc. All rights reserved. Chromacore, Chromasic, CK, the CK logo, Color Kinetics, the Color Kinetics logo, ColorBlast, ColorBlaze, ColorBurst, eW Fuse, ColorGraze, ColorPlay, ColorReach, iW Reach, eW Reach, DIMand, EssentialWhite, eW, iColor, iColor Cove, IntelliWhite, iW, iPlayer, Optibin, and Powercore are either registered trademarks or trademarks of Philips Solid-State Lighting Solutions, Inc. in the United States and / or other countries. All other brand or product names are trademarks or registered trademarks of their respective owners. Due to continuous improvements and innovations, specifications may change without notice.

DAS-000094-00 R02 08-12