



Date: _____ Type: _____

Firm Name: _____

Project: _____

PDS-60ca 7.5 V DMX / Ethernet

Power / data supply for indoor and outdoor applications



For device mounting and maintenance details, refer to the Installation Instructions included in the product packaging, or download documentation from www.philipscolorkinetics.com/ls/pds/pds60ca7/

PDS-60ca 7.5 V is a versatile power / data supply designed for indoor and outdoor LED lighting fixtures employing Chromasic technology from Philips Color Kinetics.

Featuring a NEMA 4 (IP66) enclosure, PDS-60ca 7.5 V installs in dry, damp, and wet locations.

PDS-60ca 7.5 V is compatible with both Ethernet and DMX controllers.

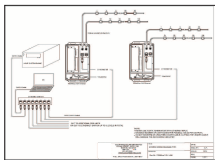
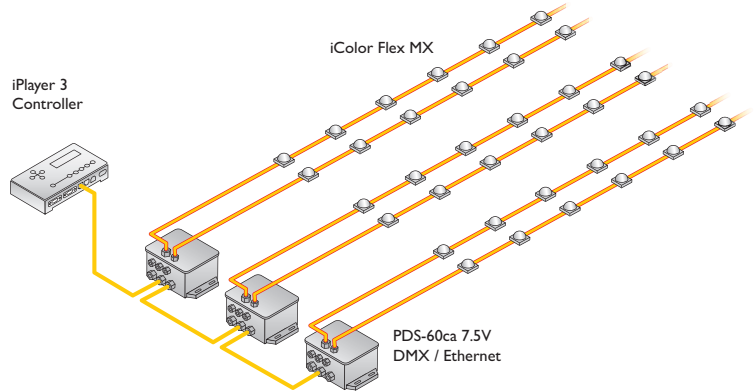
PDS-60ca 7.5 V offers multiple standard-size conduit entries to accommodate 1/2 in (13 mm) and 3/4 in (19 mm) trade-sized conduit.

PDS-60ca 7.5 V delivers 62 watts of power output and accommodates input voltages ranging from 100 VAC to 240 VAC. Short-circuit protection prevents device failure due to incorrectly wired fixtures.

Compatible Fixtures

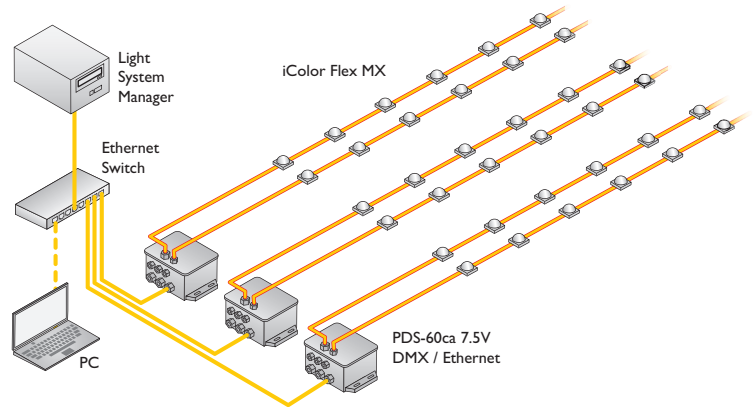
Fixture	Max. Quantity Per PDS-60ca 7.5 V
iColor Flex MX	2 strings
iColor Tile MX	1

DMX Configuration



PDS-60ca 7.5 V wiring diagrams are available online at www.philipscolorkinetics.com/support/wiring/

Ethernet Configuration

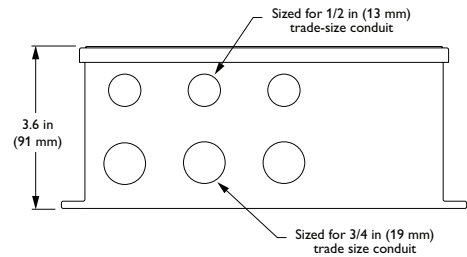
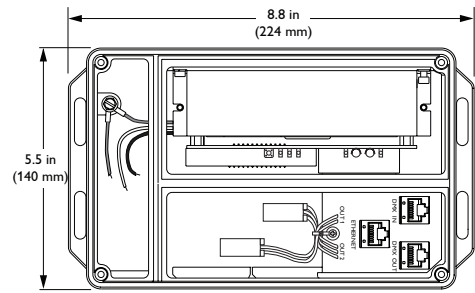


Specifications

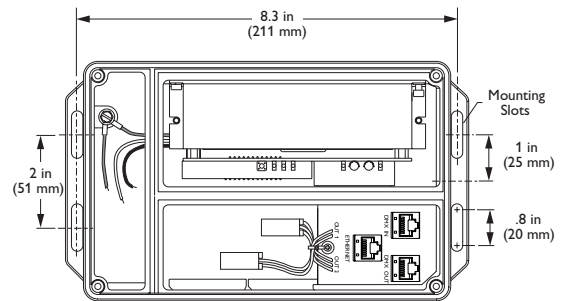
Due to continuous improvements and innovations, specifications may change without notice.

Item	Specification	Details	
Electrical	Input Voltage	100 – 240 VAC, auto-switching, 50 – 60 Hz	
	Maximum Input Current	1.7 A at 100 VAC, 1.5 A at 120 VAC, .75 A at 240 VAC	
	Power Output	7.5 VDC, 62 W maximum	
	Fuse Rating	(2) 5 A, 5 x 20 slow blow fuses	
Physical	Dimensions (Height x Width x Depth)	3.6 x 5.5 x 8.8 in (91 x 140 x 224 mm)	
	Weight	4.5 lb (2.0 kg)	
	Construction	Cast aluminum enclosure with slots for surface mounting	
	Finish	Gray matte	
	Connectors	Data	RJ-45 input and output connectors
		Power Output	(2) 4-pin output receptacles
		Power Input	Line-neutral-ground cable, flying leads
	Temperature Ranges	14° – 104° F (-10° – 40° C) Operating 14° – 122° F (-10° – 50° C) Startup -40° – 176° F (-40° – 80° C) Storage	
	Humidity	0 – 95%, non-condensing	
	Cooling	Convection	
Heat Dissipation	25% of total power input at maximum load		
Data Input Source	Philips full range of controllers, third-party DMX controllers, or KiNET-compatible* third-party Ethernet controllers		
Certification and Safety	Certification	UL / cUL, PSE	
	Classification	UL Class 2 power supply	
	Environment	Dry / Damp / Wet Location, IP66	

* KiNET is the Ethernet lighting protocol from Philips Color Kinetics.



Overall Dimensions



Mounting Dimensions

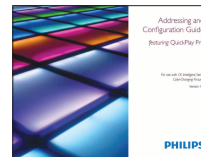
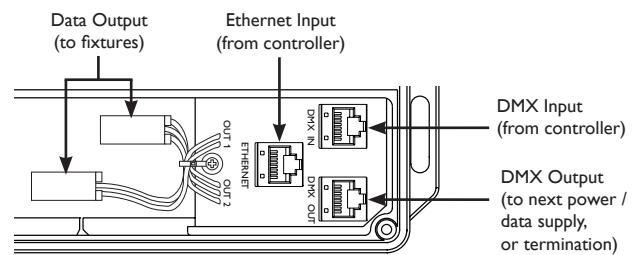
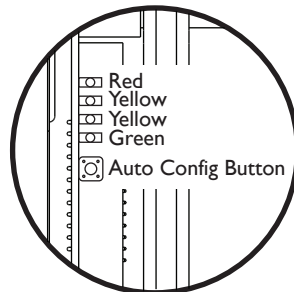
Ordering Information

Item	Included Components	Item Number	Philips 12NC
PDS-60ca 7.5 V DMX / Ethernet	Power / data supply, (3) EMI suppression cores, (2) spare fuses, (8) NPT threaded seal plugs, and Installation Instructions	109-000015-03	910503700094

Use Item Number when ordering in North America.

PDS-60ca 7.5 V listens for data on both the DMX and Ethernet input ports. When valid data is detected, PDS-60ca 7.5 V automatically switches to the appropriate mode:

- In DMX mode, the red status light located inside the device housing is lit continuously.
- In Ethernet mode, the red status light blinks approximately once per second.
- The green status displays solid when a valid Ethernet link is detected.
- The yellow status light flickers as Ethernet data is received.



For complete instructions on using the PDS-60ca 7.5 V for use in an Ethernet or DMX environment, refer to the *Addressing and Configuration Guide* available online at www.philipscolorkinetics.com/support/addressing/



Philips Color Kinetics
3 Burlington Woods Drive
Burlington, Massachusetts 01803 USA
Tel 888.385.5742
Tel 617.423.9999
Fax 617.423.9998
www.philipscolorkinetics.com

Copyright © 2009 – 2012 Philips Solid-State Lighting Solutions, Inc. All rights reserved. Chromacore, Chromasic, CK, the CK logo, Color Kinetics, the Color Kinetics logo, ColorBlast, ColorBlaze, ColorBurst, eW Fuse, ColorGraze, ColorPlay, ColorReach, iW Reach, eW Reach, DIMand, EssentialWhite, eW, iColor, iColor Cove, IntelliWhite, iW, iPlayer, Optibin, and Powercore are either registered trademarks or trademarks of Philips Solid-State Lighting Solutions, Inc. in the United States and / or other countries. All other brand or product names are trademarks or registered trademarks of their respective owners. Due to continuous improvements and innovations, specifications may change without notice. DAS-000060-01 R02 04-12