



Date: _____ Type: _____

Firm Name: _____

Project: _____

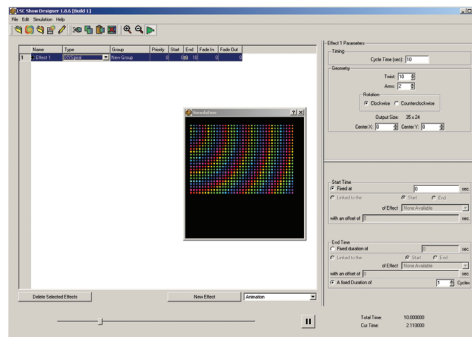
Light System Manager

Author, configure, and control intricate LED light shows in multiple zones

Optimized for medium and large-scale LED lighting installations, Light System Manager (LSM) is an integrated hardware and software solution comprising Light System Engine (LSE) controller hardware and Light System Composer (LSC) creative design software. With support for intricately designed installations containing thousands of LED nodes, Light System Manager offers the versatility to manage wide-ranging architectural, entertainment, and retail lighting environments.

- Easy to use — Featuring Ethernet-based control and automatic lighting system discovery, Light System Manager dramatically simplifies installation.
- Hardware support for medium and large environments — Light System Engine hardware processes simultaneous light output data for up to 15,000 individually controllable LED nodes, depending on configuration.
- Improved reliability — Solid-state drives reduce the number of moving parts to enhance the reliability of the LSE hardware.
- Slimmer profile — Slimmer form factor offers convenient surface mounting, as well as the ability to install in server racks and rackmount cases.
- Flexible mounting options — Integrated mounting tabs allow installation overhead, on vertical surfaces, or on moving architectural or entertainment features.

- Packaged with Light System Composer — Light System Composer software allows you to create and manage dynamic light shows with fully customizable effects, multi-layer editing, and unique color palettes. You can design shows with single or multiple color-changing effects, animated images, geometric patterns, and more.
- Versatile zone usage — Configure and control multiple playback zones, each with up to unique light show assignments. Light System Manager allows zone control of both indoor and outdoor fixtures within a single installation.
- Simplified control access — Designed for use with LSM, Ethernet Controller Keypad is a wall-mounted triggering device that controls light shows and fixture brightness at the touch of a button. LSM supports up to 10 keypads within a single lighting installation.
- Automatic playback control — Configure show scheduling based on a specific date, a day of the week, weekdays, or weekends.
- Support for IntelliWhite lighting fixtures — Light System Manager offers visual effects with color temperature and intensity settings designed specifically for IntelliWhite white light fixtures.
- Supports the optional AuxBox expansion device — AuxBox automatically triggers up to eight light shows using any remote triggering device with a dry-contact closure. Via the AuxBox, you can trigger light shows by motion sensors, third-party control or sensor systems, and more.



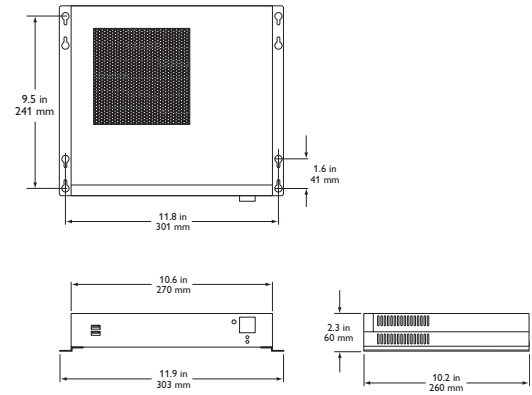
For detailed product information, please refer to the Light System Manager Product Guide at www.philipscolorkinetics.com/lsc/controllers/lsm/

PHILIPS

Specifications

Due to continuous improvements and innovations, specifications may change without notice

Item	Specification	Details
Electrical	Input Voltage	100 – 240 VAC, auto-switching
	Power Consumption	180 W max.
Capability	Supported LED Nodes	Up to 15,000 LED nodes
	Network Data	KiNET Ethernet protocol* via standard Ethernet switch†
	Playback Output	Light shows containing one or more visual effects
Physical	Dimensions (Height x Width x Depth)	9.5 x 11.9 x 2.3 in (241 x 303 x 60 mm)
	Weight	9.3 lb (4.2 kg)
	Operating Temperature	32 – 95° F (0° – 35° C)
	Operating Humidity	0 – 90%, relative humidity, non-condensing
Certification and Safety	Certification	UL / cUL, FCC, CE, C-Tick
	Environment	Indoor / Dry location



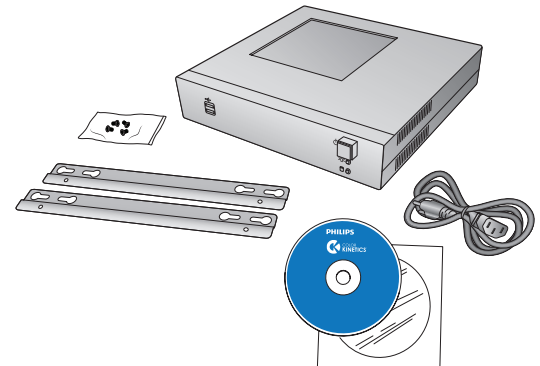
* KiNET is the Ethernet lighting protocol from Philips Color Kinetics.



† Use PoE (Power-over-Ethernet) switches, or PoE injectors, when installing a lighting system containing one or more Ethernet Controller Keypads.

Software Requirements

System Requirements	Specification	PC	Mac
Software	Operating System	Vista / Windows 7	Mac OS X 10.9 or greater
	Optical Drive	CD-ROM or DVD drive	CD-ROM or DVD drive
Hardware	Memory	256 MB RAM	256 MB RAM
	Disk space	10 MB free disk space	10 MB free disk space



Light System Manager and Accessories

Item	Item Number	Philips 12NC
Light System Manager	103-000015-04	912400130174

Ethernet Controller Keypad	103-000023-00	910503700326
PoE Injector (North America Power Cord)	109-000029-00	910503700383
PoE Injector (Europe Power Cord)	109-000029-01	910503700384
AuxBox	103-000021-00	910503700224

Use Item Number when ordering in North America.

Included in the Box

Light System Manager
Power cable
(2) Mounting brackets and (6) Mounting screws
Software CD

For detailed product information, please refer to the Light System Manager Product Guide at www.philipscolorkinetics.com/lm/controllers/lsm/



Philips Color Kinetics
3 Burlington Woods Drive
Burlington, Massachusetts 01803 USA
Tel 888.385.5742
Tel 617.423.9999
Fax 617.423.9998
www.philipscolorkinetics.com

Copyright © 2009 – 2015 Philips Solid-State Lighting Solutions, Inc. All rights reserved. Chromacore, Chromasic, CK, the CK logo, Color Kinetics, the Color Kinetics logo, ColorBlast, ColorBlaze, ColorBurst, eW Fuse, ColorGraze, ColorPlay, ColorReach, iW Reach, eW Reach, DIMand, EssentialWhite, eW, iColor, iColor Cove, IntelliWhite, iW, iPlayer, Optibin, and Powercore are either registered trademarks or trademarks of Philips Solid-State Lighting Solutions, Inc. in the United States and / or other countries. All other brand or product names are trademarks or registered trademarks of their respective owners. Due to continuous improvements and innovations, specifications may change without notice. DAS-000035-01 R08 05-15