



Date: \_\_\_\_\_ Type: \_\_\_\_\_

Firm Name: \_\_\_\_\_

Project: \_\_\_\_\_

# ColorGraze QLX Powercore 5W

## 1 ft, 5 W / ft, 9° x 9° beam angle

Performance linear exterior LED wall grazing fixture with intelligent color light

Features outstanding light output at reduced power levels for the right balance between performance and price. Low-profile housing, connectorized cabling, a universal power input range, and direct line-voltage operation make fixtures easy to install and operate.

- Available in four standard lengths and five standard beam angles. Addressable in 1 ft (305 mm) segments for fine control of color-changing effects and light shows.
- Delivers up to 136 lumens of color-changing light per foot. Superior beam quality offers striation-free saturation for several feet from

fixture placement with no visible light scalloping between fixtures.

- Convenient push-and-click connectors let you easily and rapidly install Leader Cables and Jumper Cables. Constant torque locking hinges offer simple and consistent position control from various angles.
- Accepts a power input range of 100 – 277 VAC for consistent installation in any location.

For detailed product information, please refer to the ColorGraze Powercore Family Product Guide at [www.philipscolorkinetics.com/ls/rgb/ColorGraze-QLX-Powercore-5W/](http://www.philipscolorkinetics.com/ls/rgb/ColorGraze-QLX-Powercore-5W/)

### Specifications Due to continuous improvements and innovations, specifications may change without notice.

Item	Specification	1 ft (305 mm)	2 ft (610 mm)	3 ft (914 mm)	4 ft (1219 mm)
Output	Lumens*	136	272	408	544
	LED Channels	Red / Green / Blue			
	Lumen Maintenance†	80,000 hours L70 @ 25° C 60,000 hours L70 @ 50° C 100,000 hours L50 @ 25° C 80,000 hours L50 @ 50° C			
Electrical	Input Voltage	100 – 277 VAC, auto-ranging, 50 / 60 Hz			
	Power Consumption	5 W max. at full output, steady state	10 W max. at full output, steady state	15 W max. at full output, steady state	20 W max. at full output, steady state
Control	Interface	Data Enabler Pro (DMX or Ethernet)			
	Control System	Philips Color Kinetics full range of controllers, including Light System Manager, iPlayer 3, and ColorDial Pro, or third-party controllers			
Physical	Dimensions (Height x Width x Depth)	2.7 x 12 x 2.8 in (69 x 305 x 71 mm)	2.7 x 24 x 2.8 in (69 x 610 x 71 mm)	2.7 x 36 x 2.8 in (69 x 914 x 71 mm)	2.7 x 48 x 2.8 in (69 x 1219 x 71 mm)
	Weight	2.1 lb (1.0 kg)	4.6 lb (2.1 kg)	7.1 lb (3.2 kg)	9.3 lb (4.2 kg)
	Housing	Extruded anodized aluminum			
	Lens	Clear polycarbonate			
	Fixture Connectors	Integral male / female waterproof connectors			
	Mounting	Multi-positional, constant torque locking hinges			
	Temperature	-40° – 122° F (-40° – 50° C) Operating -4° – 122° F (-20° – 50° C) Startup -40° – 176° F (-40° – 80° C) Storage			
	Humidity	0 – 95%, non-condensing			
Fixture Run Lengths	To calculate fixture run lengths and total power consumption for your specific installation, download the Configuration Calculator from <a href="http://www.philipscolorkinetics.com/support/install_tool/">www.philipscolorkinetics.com/support/install_tool/</a>				
Certification and Safety	Certification	UL / cUL, FCC Class A, CE, PSE, C-Tick			
	Environment	Dry / Damp / Wet Location, IP66			

\* 1 ft (305 mm) lumen output measurements comply with IES LM-79-08 testing procedures. 2 ft (610 mm), 3 ft (914 mm), and 4 ft (1219 mm) measurements are estimated based on the 1 ft (305 mm) measurements.

† L70 = 70% lumen maintenance (when light output drops below 70% of initial output). L50 = 50% lumen maintenance (when light output drops below 50% of initial output). Ambient luminaire temperatures specified. Lumen maintenance calculations are based on lifetime prediction graphs supplied by LED source manufacturers. Calculations for white-light LED fixtures are based on measurements that comply with IES LM-80-08 testing procedures. Refer to [www.philipscolorkinetics.com/support/appnotes/lm-80-08.pdf](http://www.philipscolorkinetics.com/support/appnotes/lm-80-08.pdf) for more information.



# PHILIPS

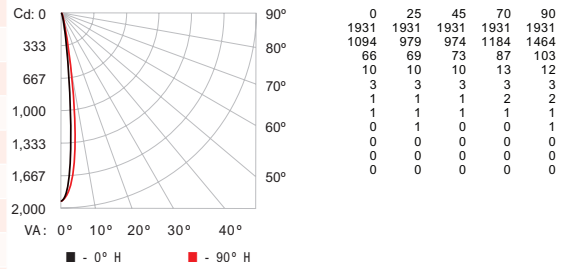
## Fixtures

Item	Beam Angle	Item Number	Philips 12NC
ColorGrazQLX Powercore 5W 1 ft (305 mm)	9° x 9°	123-000080-00	910503704063
	10° x 60°	123-000080-01	910503703371
	15° x 30°	123-000080-02	910503703372
	30° x 60°	123-000080-03	910503703373
	60° x 30°	123-000080-04	910503703374
ColorGrazQLX Powercore 5W 2 ft (610 mm)	9° x 9°	123-000080-05	910503703375
	10° x 60°	123-000080-06	910503703376
	15° x 30°	123-000080-07	910503703377
	30° x 60°	123-000080-08	910503703378
	60° x 30°	123-000080-09	910503703379
ColorGrazQLX Powercore 5W 3 ft (914 mm)	9° x 9°	123-000080-10	910503703380
	10° x 60°	123-000080-11	910503703381
	15° x 30°	123-000080-12	910503703382
	30° x 60°	123-000080-13	910503703383
	60° x 30°	123-000080-14	910503703384
ColorGrazQLX Powercore 5W 4 ft (1219 mm)	9° x 9°	123-000080-15	910503703385
	10° x 60°	123-000080-16	910503703386
	15° x 30°	123-000080-17	910503703387
	30° x 60°	123-000080-18	910503703388
	60° x 30°	123-000080-19	910503703389

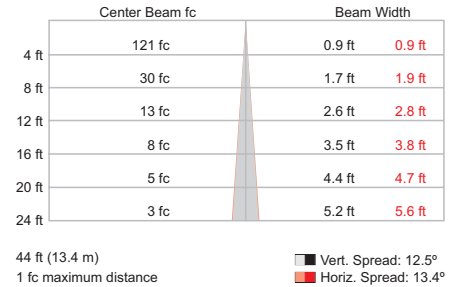
## Photometrics

ColorGrazQLX Powercore  
305 mm (1 ft), 5 W / ft, 9° x 9° beam angle

### Polar Candela Distribution



### Illuminance at Distance



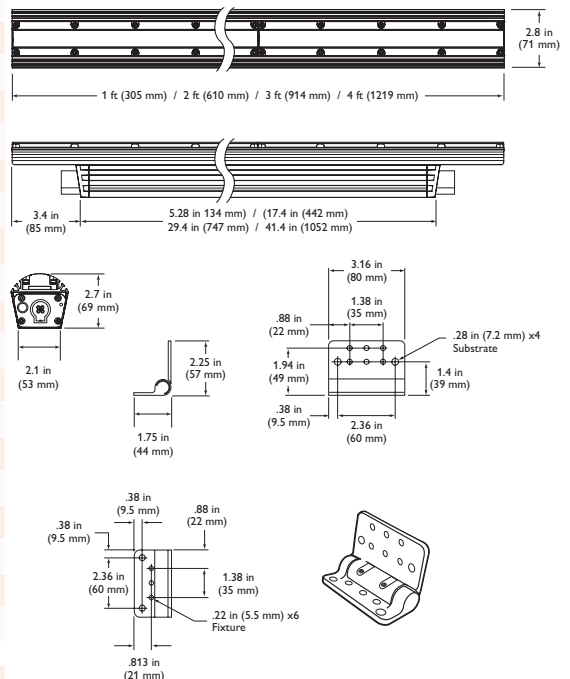
## Accessories and Data Enabler Pro

Item	Type	Size	Item Number	Philips 12NC
Leader Cable with Terminator	UL / cUL	10 ft (3.0 m)	108-000055-03	910503704066
		50 ft (15.2 m)	108-000055-00	910503703137
	CE / PSE	10 ft (3.0 m)	108-000055-04	910503704067
		50 ft (15.2 m)	108-000055-01	910503704064
Jumper Cable	UL / cUL	End-to-End	108-000057-00	910503703139
		1 ft (305 mm)	108-000057-03	910503704076
		5 ft (1.5 m)	108-000057-06	910503704079
		10 ft (3.0 m)	108-000057-09	910503704082
		20 ft (6.1 m)	108-000057-12	912400130304
	CE / PSE	30 ft (9.1 m)	108-000057-15	912400130306
		End-to-End	108-000057-01	910503704074
		1 ft (305 mm)	108-000057-04	910503704077
		5 ft (1.5 m)	108-000057-07	910503704080
		10 ft (3.0 m)	108-000057-10	910503704083
Glare Shield		20 ft (6.1 m)	108-000057-13	912400130299
		30 ft (9.1 m)	108-000057-16	912400130307
		1 ft (305 mm)	120-000081-00	910503700745
		2 ft (610 mm)	120-000081-01	910503700746
Additional Terminators	Quantity 10	3 ft (914 mm)	120-000081-02	910503700747
		4 ft (1219 mm)	120-000081-03	910503700748
		Additional Hinge	Quantity 1	120-000098-00
Data Enabler Pro	3/4 in / 1/2 in NPT (U.S. trade size conduit)	106-000004-00	910503701210	
	PG21 / PG13 (metric size conduit)	106-000004-01	910503701211	

LED RGB Lumens 136 Efficacy 30.2

For lux multiply fc by 10.7

## Dimensions



Use Item Number when ordering in North America.



Philips Color Kinetics  
3 Burlington Woods Drive  
Burlington, Massachusetts 01803 USA  
Tel 888.385.5742  
Tel 617.423.9999  
Fax 617.423.9998  
www.philipscolorkinetics.com

Copyright © 2014 Philips Solid-State Lighting Solutions, Inc. All rights reserved. Chromacore, Chromasic, CK, the CK logo, Color Kinetics, the Color Kinetics logo, ColorBlast, ColorBlaze, ColorBurst, eVW Fuse, ColorGrazQLX, ColorPlay, ColorReach, iW Reach, eW Reach, DIMand, EssentialWhite, eVW, iColor, iColor Cove, IntelliWhite, iW, iPlayer, Optibin, and Powercore are either registered trademarks or trademarks of Philips Solid-State Lighting Solutions, Inc. in the United States and / or other countries. All other brand or product names are trademarks or registered trademarks of their respective owners. Due to continuous improvements and innovations, specifications may change without notice. DAS-000114-31 R00 04-14