



Date: \_\_\_\_\_ Type: \_\_\_\_\_

Firm Name: \_\_\_\_\_

Project: \_\_\_\_\_

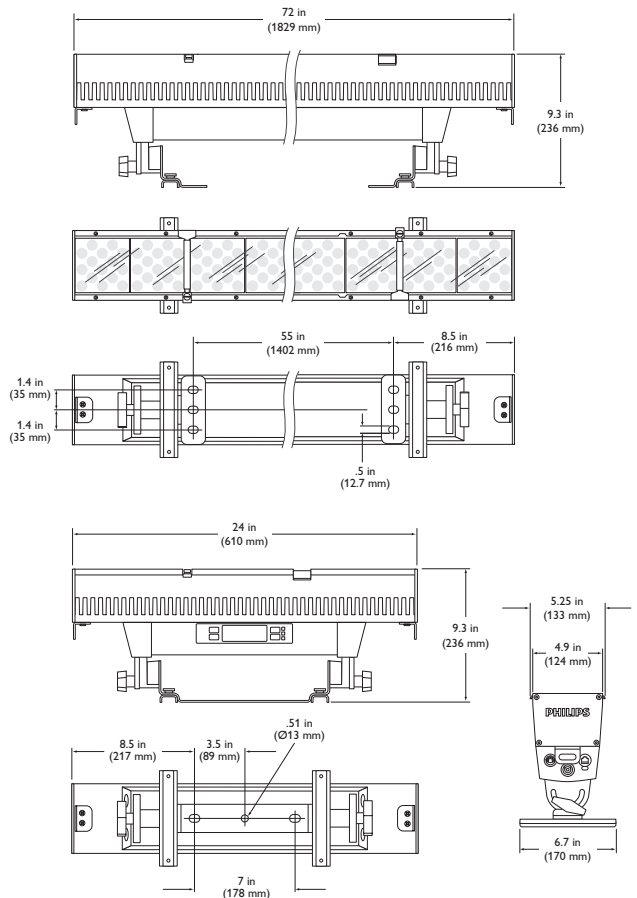
# ColorBlaze TRX

10° native (no spread lens)

Advanced theatrical and rental LED batten with intelligent RGBAW light

ColorBlaze TRX incorporates red, green, blue, amber, and white LED sources to achieve superior color precision and a dramatically expanded color palette. ColorBlaze TRX is the ideal solution for theatrical and rental distributors, exhibition houses, theaters, nightclubs, and other venues.

- Versatile, intense light output — Outputs up to 3,540 lumens per foot. Controllable in increments of 4 in (102 mm) to 6 ft (1.8 m). Available spread lenses of 22°, 32°, 60° x 32°, and 32° x 12°.
- Flexible color control — RGBAW in / out, RGB in / out, and three-channel RGB in mapped to five-channel RGBAW out.
- Superior color consistency and accuracy — Optibin sets a new standard for the color consistency and uniformity of LED sources used in manufacturing. Chromasync ensures consistency of light performance and color precision across fixtures in an installation while maximizing intensity and color range.
- Field serviceable for on-site maintenance — Most fixture components are field-serviceable and replaceable.
- Advanced controls — On-board controls offer access to all functions and features, including addressing and diagnostics. 16-bit resolution, adjustable dimming curves, and LED transition speeds emulate other Philips Color Kinetics fixtures and conventional theatrical fixtures with DMX dimming.
- Data input and standalone modes — Accepts DMX or Ethernet input. Standalone mode offers both pre-set effects and playback of custom light shows stored on the installed SD card.
- Control options for architectural, entertainment, and portable applications — Master / slave



mode lets you configure a fixture to act as a master controller for other fixtures in a run. A configurable DMX trigger allows activation of custom triggers from a lighting console or Ethernet Controller Keypad.

- Universal, integrated power supply — Auto-switching power supply accepts power input of 100 – 240 VAC, eliminating additional equipment and enabling consistent use around the world.

For detailed product information, please refer to the ColorBlaze TRX Product Guide at [www.philipscolorkinetics.com/ls/rgb/colorblazetrx/](http://www.philipscolorkinetics.com/ls/rgb/colorblazetrx/)

**PHILIPS**

## Specifications

Due to continuous improvements and innovations, specifications may change without notice.

Item	Specification	2 ft (610 mm)	6 ft (1.8 m)
Output	Beam Angle	10° native (no spread lens)	
	LED Channels	Red / Green / Blue / Amber / White	
	Lumens*	7079 (2 ft length, RGBAW channels full on)	
	Lumen Maintenance†	50,000 hours L50 @ 25° C 35,000 hours L50 @ 50° C	
Electrical	Input Voltage	100 – 240 VAC, auto-switching, 50 / 60 Hz	
	Power Consumption	315 W maximum at full output, steady state	930 W maximum at full output, steady state
Control	Interface	DMX or 10/100 Ethernet. Fixture firmware addressable 8- and 16-bit control, RGBAW, and RGB modes.	
	Control System	Philips full range of controllers, including Video System Manager Pro and Light System Manager, or third-party controllers	
Physical	Dimensions (Height x Width x Depth)	9.3 x 24 x 6.7 in (236 x 610 x 170 mm)	9.3 x 72 x 6.7 in (236 x 1829 x 170 mm)
	Weight	16.2 lb (7.3 kg)	43 lb (19.5 kg)
	Housing	Extruded aluminium and polymer, black finish	
	Lens	Clear polycarbonate	
	Fixture Connections	Neutrik PowerCon Power Connector RJ45 and XLR-5 data connections	
	Temperature Ranges	-40° – 122° F (-40° – 50° C) Operating 32° – 122° F (0° – 50° C) Startup -40° – 122° F (-40° – 50° C) Storage	
Certification and Safety	Certification	UL / cUL, FCC Class A, CE	
	Environment	Dry Location, IP20	
	Humidity	0 – 95%, non-condensing	

\* Lumen measurement complies with IES LM-79-08

† L50 = 50% lumen maintenance (when light output drops below 50% of initial output). Ambient luminaire temperatures specified. Lumen maintenance calculations are based on lifetime prediction graphs supplied by LED source manufacturers. Calculations for white-light LED fixtures are based on measurements that comply with IES LM-80-08 testing procedures. Refer to [www.philipscolorkinetics.com/support/appnotes/lm-80-08.pdf](http://www.philipscolorkinetics.com/support/appnotes/lm-80-08.pdf) for more information.



CHROMACORE<sup>®</sup> CK TECHNOLOGY | CHROMASYNC<sup>®</sup> CK TECHNOLOGY | OPTIBIN<sup>®</sup> CK TECHNOLOGY

## Fixtures and Spread Lenses

Item	Type	Item Number	Philips 12NC
ColorBlaze TRX	2 ft	116-000028-00	910503701741
	6 ft	116-000028-01	910503701742
Spread Lenses	22°	120-000109-00	910503701959
	32°	120-000109-01	910503701960
	60° x 32°	120-000109-02	910503701961
	32° x 12°	120-000109-03	910503701962

Use Item Number when ordering in North America.

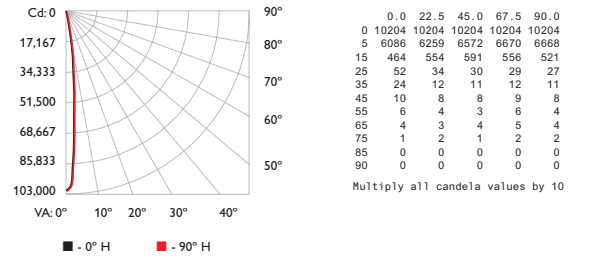


Philips Color Kinetics  
3 Burlington Woods Drive  
Burlington, Massachusetts 01803 USA  
Tel 888.385.5742  
Tel 617.423.9999  
Fax 617.423.9998  
[www.philipscolorkinetics.com](http://www.philipscolorkinetics.com)

## Photometrics

2 ft (610 mm), 10° native (no spread lens)

### Polar Candela Distribution



### Illuminance at Distance

Center Beam fc	Beam Width
4.0 ft	6378 fc 0.9 ft 0.9 ft
8.0 ft	1594 fc 1.7 ft 1.9 ft
12.0 ft	709 fc 2.6 ft 2.8 ft
16.0 ft	399 fc 3.4 ft 3.7 ft
20.0 ft	255 fc 4.3 ft 4.6 ft
24.0 ft	177 fc 5.1 ft 5.6 ft

320 ft (97.5 m) 1 fc maximum distance

■ Vert. Spread: 12.2°  
■ Horiz. Spread: 13.2°

LED	Lumens	Efficacy
RGB	7079	23.8

For lux multiply fc by 10.7

## Replacement Parts

Item	Item Number	Philips 12NC
LED board assembly	120-000127-00	910503701963
Power supply / filter board assembly with current sensor (center unit)	120-000128-00	910503701964
Power supply / filter board assembly with isolator (end unit)	120-000128-01	910503701965
Control board with OLED display	120-000129-00	910503701966
Fan assembly	120-000130-00	910503701967
Primary lens, 2 ft	120-000131-00	910503701968
Primary lens, 6 ft	120-000131-01	910503701969
LED board carrier	120-000132-00	910503701970
Secondary lens rail pair, 2 ft	120-000133-00	910503701971
Secondary lens rail pair, 6 ft	120-000133-01	910503701972
Lens clip assembly	120-000134-00	910503701973
Diffuser spacer	120-000134-01	910503701974
Top end cap assemblies	120-000135-00	910503701974
Yoke with mounting foot	120-000136-00	910503701975
Trunion set with mounting foot	120-000137-00	910503701976
Thermoplastic star knob	120-000138-00	910503701977
End cap rotation bracket assembly, input side	120-000139-00	910503701978
End cap rotation bracket assembly, output side	120-000139-01	910503701978
Input connector board	120-000140-00	910503701979
Output connector board	120-000140-01	910503701980
Optics tray with optics	120-000141-00	910503701981
Back cover, 2 ft	120-000142-00	910503701982
Back cover, 6 ft	120-000142-01	910503701983
Distribution board	120-000143-00	910503701984

Use Item Number when ordering in North America.

Copyright © 2010 – 2012 Philips Solid-State Lighting Solutions, Inc. All rights reserved. Chromacore, Chromasic, CK, the CK logo, Color Kinetics, the Color Kinetics logo, ColorBlast, ColorBlaze, ColorBurst, eW Fuse, ColorGraze, ColorPlay, ColorReach, iW Reach, eW Fuse, eW Reach, DIMand, EssentialWhite, eW, iColor, iColor Cove, IntelliWhite, iW, iPlayer, Optibin, and Powercore are either registered trademarks or trademarks of Philips Solid-State Lighting Solutions, Inc. in the United States and / or other countries. All other brand or product names are trademarks or registered trademarks of their respective owners. Due to continuous improvements and innovations, specifications may change without notice. DAS-000076-01 R03 07-12