



Date: _____ Type: _____

Firm Name: _____

Project: _____

ColorBlaze 72

Industry-standard theatrical and rental LED batten with intelligent color light

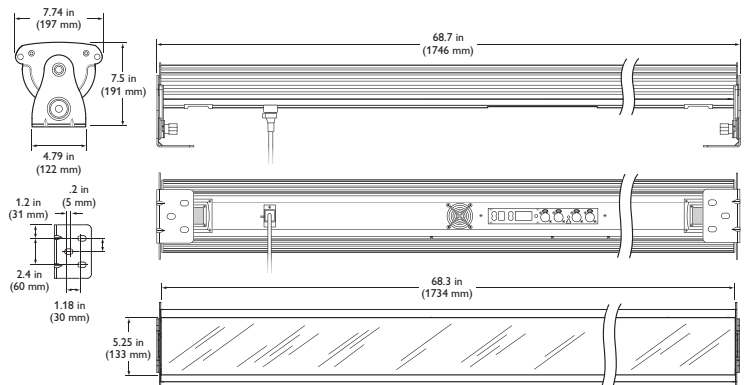
ColorBlaze is a robust, high-performance linear LED fixture for washing large areas with far-reaching, rich, saturated colors. With a rugged, extruded aluminum housing, ColorBlaze is designed to withstand the rigors of the touring and rental market. Integrated power supplies eliminate the need for additional equipment, push button addressing capabilities simplify configuration and installation, and locking mounting brackets allow for flexible mounting to pipes or surfaces, making ColorBlaze an easy-to-use yet powerful solution for theaters, TV studios, concerts, events, casinos, and exhibits. To support dynamic, color-changing effects, each ColorBlaze fixture is controllable in 6 in (152 mm) segments.

- Two fixture lengths — Available in two fixture lengths, ColorBlaze 72 (6 ft, 1.8 m) and ColorBlaze 48 (4 ft, 1.2 m), each controllable in 6 in (152 mm) segments.

- Universal, integrated power supply — Auto-switching power supply accepts power input of 100 – 240 VAC, eliminating the need for additional equipment and enabling consistent use around the world.

- Push button addressing and configuration — Onboard addressing offers easy configuration without external addressing tools.
- Industry-leading controls — ColorBlaze works with the complete Philips line of controllers, including ColorDial Pro, iPlayer 3, and Light System Manager, as well as third-party controllers. Fixtures can be connected in series of up to 1,000 ft (300 m) using any combination of RJ45, Ethercon, and XLR-5 data cables.

- High-intensity, saturated color output — RGB color mixing provides 16.7 million colors with variable intensity. Each 6 in (152 mm) segment has an output of over 450 lumens.
- Simple light positioning — Mounting brackets and locking knobs enable 180° rotation, adjustment, and locking without special tools.
- Versatile mounting options and accessories — Clamp-mount ColorBlaze to pipes or trusses, or mount directly to a surface. An optional T-handle mounting bracket is available for special mounting situations. Accessory holders, spread lenses, and other custom accessories specifically designed for ColorBlaze are available from City Theatrical Inc.



- Additional stage-friendly features — Onboard cooling fan and thermal sensor prevent overheating. A full range of replacement parts is available to keep ColorBlaze fixtures in service for the long haul.

For detailed product information, please refer to the ColorBlaze Product Guide at www.colorkinetics.com/ls/rgb/colorblaze/

Specifications

Due to continuous improvements and innovations, specifications may change without notice.

Item	Specification	ColorBlaze 72
Output	Beam Angle	10°
	Lumens*	5562
	LED Channels	Red / Green / Blue
	Mixing Distance	6 in (152 mm) to uniform light
	Lumen Maintenance†	50,000+ hours L50 @ 50° C (full output)
Electrical	Input Voltage	100 – 240 VAC, auto-switching, 50 / 60 Hz
	Power Consumption	420 W maximum at full output, steady state
Control	Interface	DMX
	Control System	Philips full range of controllers, including ColorDial Pro, Light System Manager, and iPlayer 3, or third-party controllers
Physical	Dimensions (Height x Width x Depth)	7.5 x 68.7 x 6.5 in (191 x 1746 x 165 mm)
	Weight	60 lb (27.2 kg)
	Housing	Extruded aluminium, black finish
	Lens	Clear polycarbonate
	Fixture Connections	IEC power cable, RJ45, Ethercon, or XLR-5 data connections
	Temperature Ranges	-40° – 122° F (-40° – 50° C) Operating -4° – 122° F (-20° – 50° C) Startup -40° – 176° F (-40° – 80° C) Storage
	Humidity	0 – 95%, non-condensing
Certification and Safety	Certification	UL / cUL, FCC Class A, CQC, PSE
	Environment	Dry Location, IP20

* Lumen measurement complies with IES LM-79-08.

† L50 = 50% lumen maintenance (when light output drops below 50% of initial output). Ambient luminaire temperatures specified. Lumen maintenance calculations are based on lifetime prediction graphs supplied by LED source manufacturers. Calculations for white-light LED fixtures are based on measurements that comply with IES LM-80-08 testing procedures. Refer to www.philipscolorkinetics.com/support/appnotes/lm-80-08.pdf for more information.



Accessories

Item	Type	Item Number	Philips 12NC		
Accessory Holders	ColorBlaze 72	Standard	White	120-000001-00	—
			Black	120-000001-01	—
		Pro Series	White	120-000001-02	—
			Black	120-000001-03	—
	ColorBlaze 48	Standard	White	120-000002-00	—
			Black	120-000002-01	—
Pro Series		White	120-000002-02	—	
		Black	120-000002-03	—	
Glass Spread Lenses	ColorBlaze 72 (4) 17 in (432 mm) sections	36° / 50° horizontal spread	120-000023-00	—	
		40° / 40° horizontal / vertical spread	120-000023-01	—	
	ColorBlaze 48 (3) 14 in (356 mm) sections	36° / 50° horizontal spread	120-000024-00	—	
		40° / 40° horizontal / vertical spread	120-000024-01	—	

Use Item Number when ordering in North America.



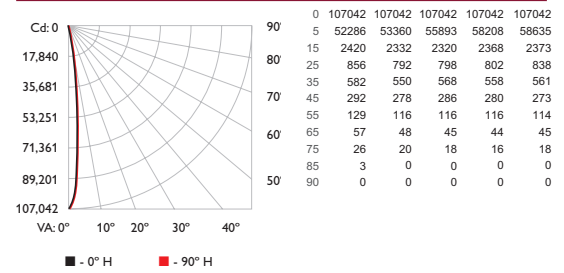
Philips Color Kinetics
3 Burlington Woods Drive
Burlington, Massachusetts 01803 USA
Tel 888.385.5742
Tel 617.423.9999
Fax 617.423.9998
www.philipscolorkinetics.com

Photometrics

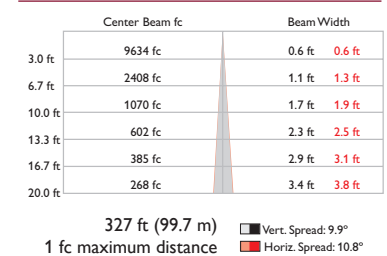
ColorBlaze 72

These figures are scaled based on the ColorBlaze 48 photometrics to approximate the light output of ColorBlaze 72.

Polar Candela Distribution



Illuminance at Distance



LED	Lumens	Efficacy
RGB	5562	13.2

For lux multiply fc by 10.7

Fixtures

Item	Type	Item Number	Philips 12NC
ColorBlaze	72	116-000021-00	910503700614
	48	116-000022-00	910503700613
Power Supply	w/o Thermal Sensor	120-000041-00	910503700131
	w Thermal Sensor	120-000042-00	910503700132
Fan		120-000043-00	910503700133
Air Inlet Filter		120-000044-00	910503700134
Controller Panel	72	120-000045-01	910503700136
	48	120-000045-00	910503700135
LED Board	Cree 7090	120-000046-01	910503700137
	Cree 7090 XR-E	120-000073-00	910503700615
	Luxeon	120-000046-00	—
IEC Connector		120-000053-00	910503700144
Clear Lens	72	120-000048-00	910503700139
	48	120-000047-00	910503700138
Mounting Bracket	Brackets & Handles	120-000049-01	910503700140
	Handles Only	120-000050-00	910503700141
T-Handle Style Mounting Bracket	Brackets & Handles	120-000051-00	910503700142
	Handles Only	120-000052-00	910503700143

Use Item Number when ordering in North America.

Copyright © 2009 – 2015 Philips Solid-State Lighting Solutions, Inc. All rights reserved. Chromacore, Chromasic, CK, the CK logo, Color Kinetics, the Color Kinetics logo, ColorBlast, ColorBlaze, ColorBurst, eW Fuse, ColorGraze, ColorPlay, ColorReach, iW Reach, eW Reach, DIMand, EssentialWhite, eW, iColor, iColor Cove, IntelliWhite, iW, iPlayer, Optibin, and Powercore are either registered trademarks or trademarks of Philips Solid-State Lighting Solutions, Inc. in the United States and / or other countries. All other brand or product names are trademarks or registered trademarks of their respective owners. Due to continuous improvements and innovations, specifications may change without notice. DAS-000014-01 R07 06-15