



Date: \_\_\_\_\_ Type: \_\_\_\_\_

Firm Name: \_\_\_\_\_

Project: \_\_\_\_\_

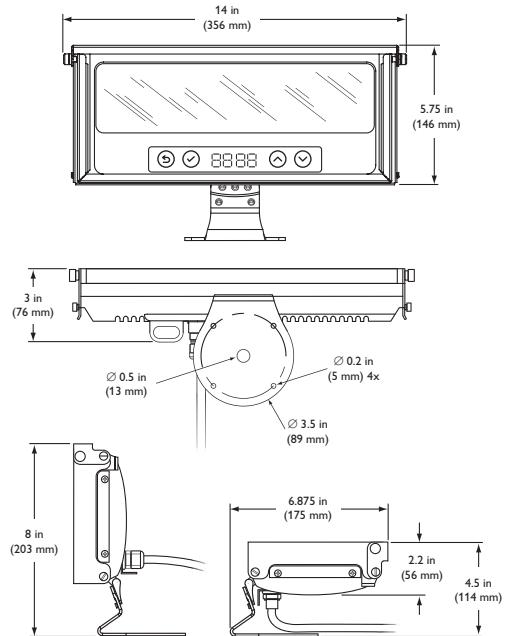
# ColorBlast TRX

23° frosted lens

Advanced theatrical and rental LED wash fixture with intelligent RGBAW light

ColorBlast TRX is a fully-featured RGBAW LED wash / flood / spotlight, offering a significantly enhanced color range, light output of up to 1577 lumens, and onboard addressing and configuration features for ease of use and control. Ideal for theatrical and rental distributors, exhibition houses, theaters, nightclubs, and other entertainment venues, rugged ColorBlast TRX fixtures are designed to withstand the rigors of demanding stage, set, and touring environments.

- Expanded color palette — Amber and neutral white LEDs seamlessly blend with red, green, and blue LEDs to produce a significantly expanded color palette, including intense yellows, high-quality whites, and a range of subtle pastel colors.
- Flexible color control — Color control modes include five-channel RGBAW in / out, three-channel RGB in / out, and three-channel RGB in mapped to five-channel RGBAW out. RGB modes offer consistent operation in installations with a mix of traditional LED fixtures.
- Full range of features — Accepts DMX input from the complete Philips line of controllers, as well as third-party controllers. Standalone mode offers a configurable pre-set Fixed Color effect. Adjustable dimming curves and LED transition speeds emulate the behavior of other Philips Color Kinetics fixtures and conventional theatrical fixtures.
- Superior color consistency and accuracy — Optibin, an advanced binning algorithm, sets a new standard for the color consistency and uniformity of LED sources used in manufacturing. Chromasync technology achieves unprecedented consistency of light performance and color precision across multiple fixtures in an installation, while maximizing intensity and color range.
- On-board controls — Touch-sensitive menus offer direct access to all on-board functions. Fixture self-test confirms proper fixture operation, while diagnostics display information such as serial number, operating temperature, and input voltage.



- Pivoting bezel and exchangeable lenses — The pivoting bezel and included 23° soft-focus and 10° clear tempered glass spread lenses let you switch quickly between soft-edge wash lighting and extended beam projection.
- Versatile mounting options — A pre-assembled mounting base easily accommodates truss clamps and other mounting and positioning options. Built-in 6 ft (1.8 m) power cables can be extended up to 175 ft (53.3 m) with standard color scroller or XLR patch cables.
- Accessories and additional spread lenses — City Theatrical Inc. offers a line of accessories, including top hats, half top hats, barndoors, egg crate louvers, and spread lenses. Locking accessory holder prevents accessories from falling out when fixture is hung upside down.

For detailed product information, please refer to the ColorBlast TRX Product Guide at [www.philipscolorkinetics.com/ls/rgb/colorblasttrx/](http://www.philipscolorkinetics.com/ls/rgb/colorblasttrx/)

**PHILIPS**

## Specifications

Due to continuous improvements and innovations, specifications may change without notice.

Item	Specification	23° Frosted Lens
Output	Lumens*	1372
	LED Channels	Red / Green / Blue / Amber / White
	Lumen Maintenance†	100,000 hours L50 @ 25° C 80,000 hours L50 @ 50° C
Electrical	Input Voltage	24 VDC
	Power Consumption	50 W maximum at full output, steady state
Control	Interface	DMX via PDS-750 TRX or PDS-375 TRX. Addressable 8- or 16-bit control, RGBAW or RGB modes.
	Control System	Philips full range of controllers, including Light System Manager and iPlayer 3, or third-party controllers
Physical	Dimensions (Height x Width x Depth)	8 x 14 x 3 in (203 x 356 x 76 mm)
	Weight	7.25 lb (3.3 kg)
	Housing	Die-cast aluminium, powder-coated black finish
	Lens	Clear glass
	Fixture Connections	6 ft (1.8 m) power / data cable with 4-pin XLR connector
	Temperature Ranges	-40° – 122° F (-40° – 50° C) Operating -4° – 122° F (-20° – 50° C) Startup -40° – 176° F (-40° – 80° C) Storage
	Humidity	0 – 95%, non-condensing
Certification and Safety	Certification	UL / cUL, FCC Class A, CE, PSE, CQC, C-Tick, SAA
	Environment	Dry / Damp Location, IP22

\* Lumen measurement complies with IES LM-79-08 testing procedures



† L50 = 50% lumen maintenance (when light output drops below 50% of initial output). Ambient luminaire temperatures specified. Lumen maintenance calculations are based on lifetime prediction graphs supplied by LED source manufacturers. Calculations for white-light LED fixtures are based on measurements that comply with IES LM-80-08 testing procedures. Refer to [www.philipscolorkinetics.com/support/appnotes/lm-80-08.pdf](http://www.philipscolorkinetics.com/support/appnotes/lm-80-08.pdf) for more information.

CHROMACORE<sup>®</sup> CK TECHNOLOGY | CHROMASYNC<sup>™</sup> CK TECHNOLOGY | OPTIBIN<sup>®</sup> CK TECHNOLOGY

## Fixtures, Power Supplies, and Accessories

Item		Item Number	Philips 12NC
ColorBlast TRX		116-000029-00	910503701652
PDS-750 TRX		109-000030-00	910503702319
PDS-375 TRX		109-000030-01	910503702284
Top Hats	Black	120-000005-04	910503702848
Half Top Hats	Black	120-000009-04	910503702844
Egg Crate Louvers	Black	120-000015-04	910503702852
Barndoors	Black	120-000019-04	910503702856
Horizontal Spread Lens*	36° (ribs out) 50° (ribs in)	120-000025-00	910503703897
Horizontal / Vertical Spread Lens*	40° / 40°	120-000025-01	910503703898
XLR-to-RJ45 Adapter Cable		104-000005-00	910503700061

\* Intended for use with Blast fixtures with 10° clear lens

Use Item Number when ordering in North America.

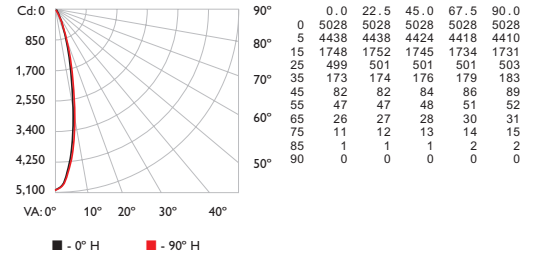


Philips Color Kinetics  
3 Burlington Woods Drive  
Burlington, Massachusetts 01803 USA  
Tel 888.385.5742  
Tel 617.423.9999  
Fax 617.423.9998  
[www.philipscolorkinetics.com](http://www.philipscolorkinetics.com)

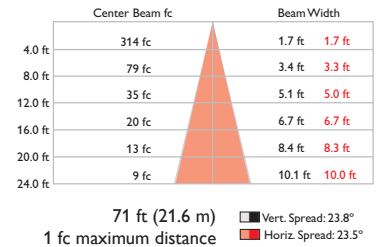
## Photometrics

### 23° frosted lens

#### Polar Candela Distribution



#### Illuminance at Distance



LED	Lumens	Efficacy
RGB	1372	23.5

For lux multiply fc by 10.7



Copyright © 2010 - 2012 Philips Solid-State Lighting Solutions, Inc. All rights reserved. Chromacore, Chromasic, CK, the CK logo, Color Kinetics, the Color Kinetics logo, ColorBlast, ColorBlaze, ColorBurst, ColorGraze, ColorPlay, ColorReach, iW Reach, eW Reach, eV Fuse, DIMand, EssentialWhite, eW, iColor, iColor Cove, IntelliWhite, iW, iPlayer, Optibin, and Powercore are either registered trademarks or trademarks of Philips Solid-State Lighting Solutions, Inc. in the United States and / or other countries. All other brand or product names are trademarks or registered trademarks of their respective owners. Due to continuous improvements and innovations, specifications may change without notice. DAS-000075-02 R03 07-12