



Date: _____ Type: _____

Firm Name: _____

Project: _____

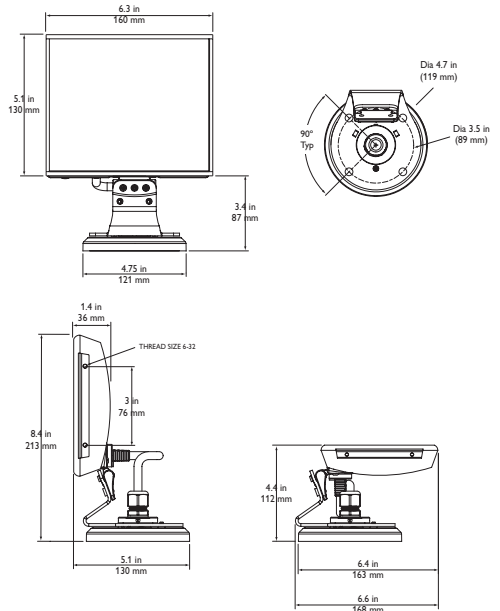
ColorBlast 6

10° clear lens

The original compact exterior LED wash fixture with intelligent color light

High-performance ColorBlast 6 LED fixtures generate rich, saturated colors and color-changing effects for a range of wall-washing and floodlighting applications. Designed with the needs of lighting designers, architects, and retail window directors in mind, ColorBlast 6 can be used in both indoor and outdoor installations. High-intensity LEDs produce superior light output in a compact, low-profile housing. ColorBlast 6 also offers full pan and tilt rotation, flexible mounting options, two beam angles, and superior control through Philips or third-party controllers.

- Two beam patterns — A frosted glass lens (21° beam angle) produces a soft-edge beam, while a clear glass lens (10° beam angle) affords extended light projection.
- Outdoor rated — Fully sealed for maximum fixture life and IP66 rated for outdoor applications, ColorBlast 6 fixtures meet or exceed specifications for use in wet locations. Rugged, die-cast aluminum housing is available in white or black powder-coated finish.
- Flexible mounting options — The versatile fixture canopy base can be mounted to a junction box or directly to a wall, ceiling, or floor. A liquid-tight cable fitting seals the canopy opening for use in damp or wet environments.
- Versatile light positioning — The locking canopy base offers friction-free rotation of up to 350°, and 110° fixture tilting lets installers quickly aim the fixture without special tools.
- Unified power and data cable — Each ColorBlast 6 fixture comes with a 60 ft (18.3 m) unified power and data cable to minimize wiring. ColorBlast 6 is intended for use with PDS-150e and PDS-60 24V power / data supplies.



- Industry-leading controls — ColorBlast 12 fixtures work seamlessly with the complete line of Philips Color Kinetics controllers, including iPlayer 3 Light System Manager, and ColorDial Pro, as well as third-party controllers.
- Additional options for controlling and dispersing light — Designed specifically for the family of ColorBlast fixtures by City Theatrical, Inc., accessories include top hats, half top hats, egg crate louvers, barndoors, and horizontal and vertical spread lenses.

For detailed product information, please refer to the ColorBlast 6 / ColorBlast 12 Product Guide at www.philipscolorkinetics.com/ls/colorblast6/

PHILIPS

Specifications

Due to continuous improvements and innovations, specifications may change without notice.

Item	Specification	Details
Output	Beam Angle	10°
	Lumens*	584
	LED Channels	Red / Green / Blue
	Mixing Distance	6 in (152 mm) to uniform light
	Lumen Maintenance†	50,000+ hours L50 @ 50° C (full output)
Electrical	Input Voltage	24 VDC via PDS-150e or PDS-60
	Power Consumption	25 W maximum at full output, steady state
Control	Interface	PDS-150e 24V (DMX / Ethernet) PDS-60 24V (Pre-programmed or DMX / Ethernet)
	Control System	Philips full range of controllers, including Light System Manager, iPlayer 3, and ColorDial Pro, or third-party controllers
Physical	Dimensions (Height x Width x Depth)	8.4 x 6.3 x 5.1 in (213 x 160 x 130 mm)
	Weight	3 lb (1.4 kg)
	Housing	Die-cast aluminium, black or white powder-coated finish
	Lens	Clear glass
	Fixture Connections	60 ft (18.3 m) unified power / data cable
	Temperature Ranges	-40° – 122° F (-40° – 50° C) Operating -4° – 122° F (-20° – 50° C) Startup -40° – 176° F (-40° – 80° C) Storage
	Humidity	0 – 95%, non-condensing
Certification and Safety	Certification	UL / cUL, FCC Class A, CE, PSE, C-Tick, SAA, CQC
	Environment	Dry / Damp / Wet Location, IP66

* Lumen measurement complies with IES LM-79-08

† L50 = 50% lumen maintenance (when light output drops below 50% of initial output). Ambient luminaire

temperatures specified. Lumen maintenance calculations are based on lifetime prediction graphs supplied by LED source manufacturers. Calculations for white-light LED fixtures are based on measurements that comply with IES LM-80-08 testing procedures. Refer to www.philipscolorkinetics.com/support/appnotes/lm-80-08.pdf for more information.



CHROMACORE[®] CK TECHNOLOGY | OPTIBIN[®] CK TECHNOLOGY

Fixtures and Power / Data Supplies

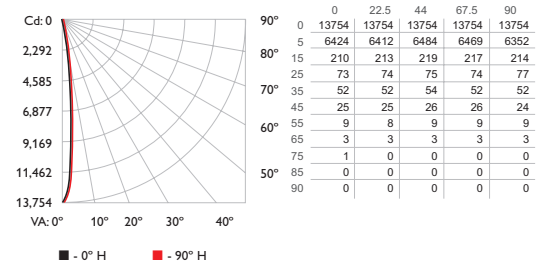
Item	Type	Item Number	Philips 12NC
ColorBlast 6	White	21° beam angle	116-000026-00 910503700593
		10° beam angle	116-000026-02 910503700595
	Black	21° beam angle	116-000026-01 910503700594
		10° beam angle	116-000026-03 910503700596
PDS-150e 24V	DMX / Ethernet	109-000008-01	910503700092
PDS-60 24V	Pre-programmed	109-000017-00	910503700096
	DMX / Ethernet	109-000017-03	910503700097

Use Item Number when ordering in North America.

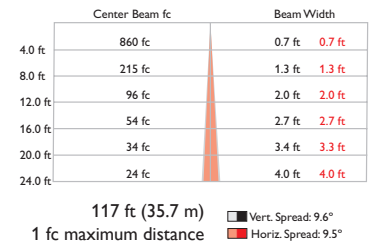
Photometrics

10° clear lens

Polar Candela Distribution



Illuminance at Distance



For lux multiply fc by 10.

LED	Lumens	Efficacy
RGB	584	14.2

Accessories

* Intended for use with Blast fixtures with 10° clear lens

Item	Type	Item Number	Philips 12NC
Accessory Holders	White	120-000004-03	910503702841
	Black	120-000004-04	910503702842
Half Top Hats	White	120-000010-03	910503702849
	Black	120-000010-04	910503702850
Top Hats	White	120-000006-03	910503702845
	Black	120-000006-04	910503702846
Egg Crate Louvers	White	120-000016-03	910503702853
	Black	120-000016-04	910503702854
Barndoors	White	120-000020-03	910503702857
	Black	120-000020-04	910503702858
Horizontal Glass Spread Lens*	36° (ribs out) 50° (ribs in)	120-000026-00	910503703899
Horizontal / Vertical Glass Spread Lens*	40°	120-000026-01	910503702772

Use Item Number when ordering in North America.



Philips Color Kinetics
3 Burlington Woods Drive
Burlington, Massachusetts 01803 USA
Tel 888.385.5742
Tel 617.423.9999
Fax 617.423.9998
www.philipscolorkinetics.com

Copyright © 2009 – 2012 Philips Solid-State Lighting Solutions, Inc. All rights reserved.
Chromacore, Chromasic, CK, the CK logo, Color Kinetics, the Color Kinetics logo, ColorBlast, ColorBlaze, ColorBurst, eW Fuse, ColorGraze, ColorPlay, ColorReach, iW Reach, eW Reach, DIMand, EssentialWhite, eW, iColor, iColor Cove, IntelliWhite, iW, iPlayer, Optibin, and Powercore are either registered trademarks or trademarks of Philips Solid-State Lighting Solutions, Inc. in the United States and / or other countries. All other brand or product names are trademarks or registered trademarks of their respective owners. Due to continuous improvements and innovations, specifications may change without notice.

DAS-000034-04 R04 07-12