

## MIMO3 energy saving sensor



MIMO3 is a very small light sensor that enables simple, automatic constant light control. It can be used with any Helvar 1-10V controllable ballast or driver. Significant energy savings can be achieved in various applications such as offices, schools, factories, airports and shopping centres.

MIMO3 can be mounted directly to the fluorescent lamps, or panel mounted in the luminaire casing. Existing T5 or T8 luminaires can be retrofitted using the clip version. MIMO3 comes with an integral cable reducing the number of parts needed, making the installation easy.

### Key features

- Very small profile
- Easy installation – simply clips to T5 or T8 tube
- Simple setting of the constant light level
- Start up at full level
- Controls up to 15 Helvar electronic ballasts
- Supply voltage derived from the ballast
- Smooth dimming operation, 1.5 minute settling time
- Compatible with all Helvar 1-10 V ballasts and drivers

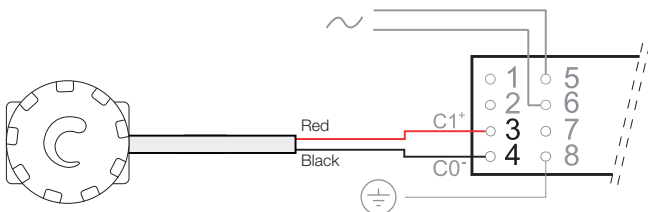
### Technical specifications

- Control voltage 1-10 VDC (EN60929)
- Cable 50 cm long, 3.8 mm OD, 2-core flexible PVC
- Operating Temperature 5 °C . . . 55 °C Ambient
- Storage Temperature -40 °C . . . 70 °C
- Relative Humidity 0 . . . 80 % non-condensing
- IP rating 20
- Control Range 200 to 600 lux +/- 50 lux
- Viewing angle 45° average, 42-52° depending on aperture
- Mounting height 5 m, max.

### Conformity & Standards

- Safety EN 61347-2-11
- EMC EN 61547  
EN 55 015

### Wiring



MIMO3 connection to ballast / driver

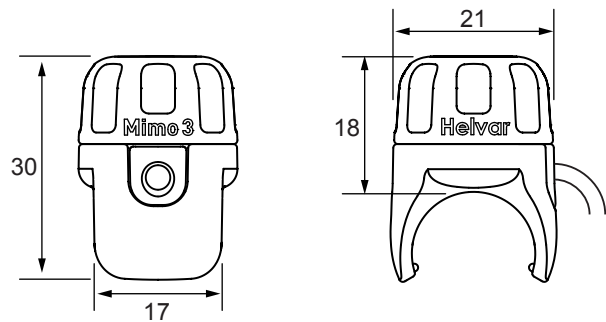


### Product order code

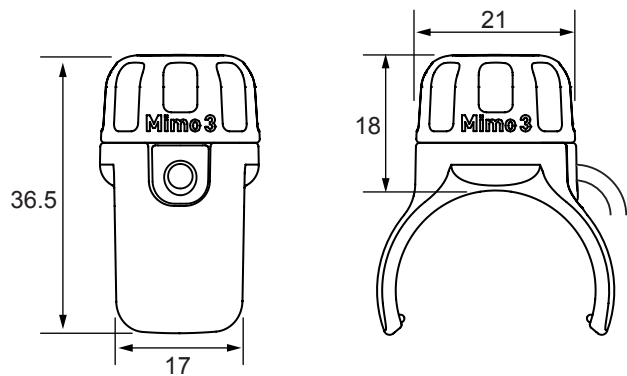
- 5600003 MIMO3-T5

(Pre-assembled with T5 clip. T8 clip and panel flange also included in package)

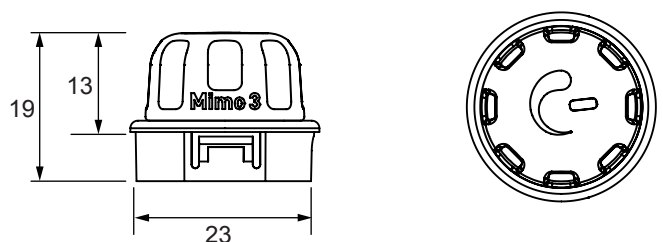
### Dimensions (1:1)



MIMO3 with attachment clip for T5 (16 mm)



MIMO3 with attachment clip for T8 (26 mm)

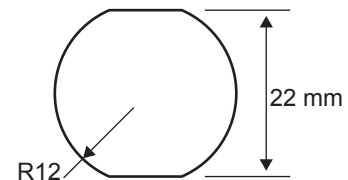
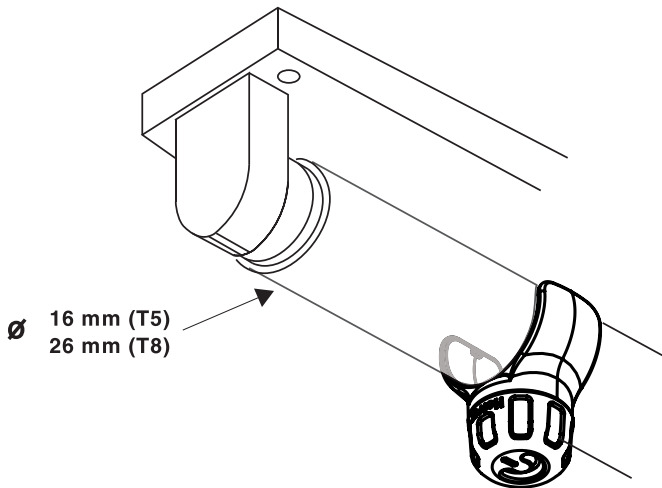


MIMO3 panel mounting

## MIMO3 energy saving sensor

### Installation

MIMO3 is available for attachment to T5 or T8 lamps, or panel mount



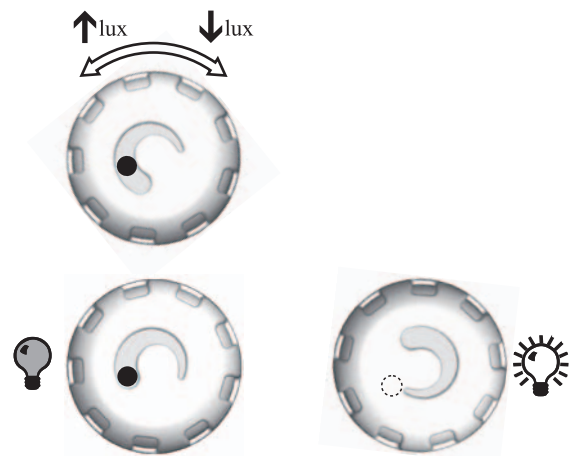
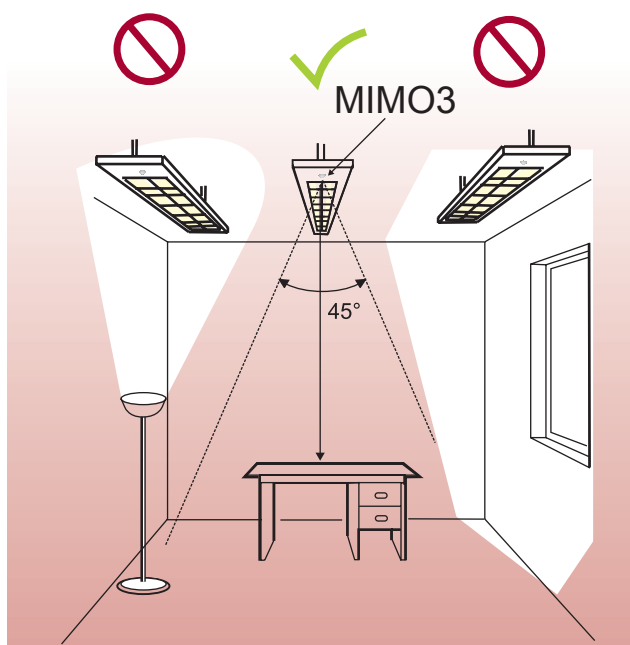
Mechanical installation of the panel flange fitting is recommended as above.

**Note:** When clipping MIMO3 onto the lamp, keep a minimum 10cm distance from the cathode. Otherwise the cathode temperature can damage the MIMO3

### Configuration

Position MIMO3 so that it sees both natural and artificial light, but neither should be dominant. Do not position MIMO3 where a direct light source (lamp, sun, reflection etc.) is within the MIMO3's viewing angle 45° (see figure below).

Adjust the rotary top shell to set the desired light level



When installed correctly, MIMO3 will monitor both natural and artificial light, and adjust the lighting to maintain a constant overall lighting level.