

## Switch Interface Unit with LED Tellback (445)

The Digidim 445 is a compact interface unit that allows the connection of third-party switches or button panels to a Helvar lighting control system.

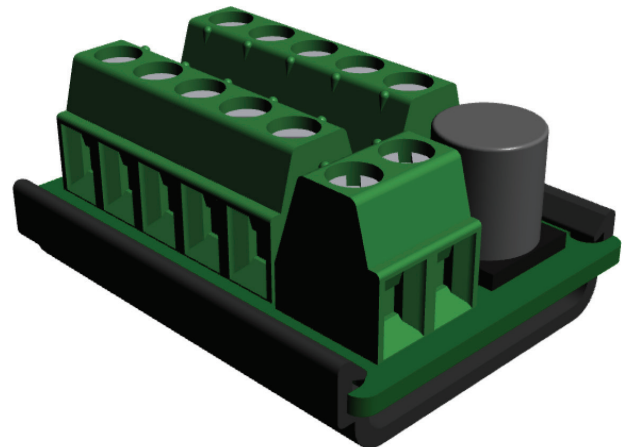
The unit provides four switch inputs for use with volt-free contacts, and four LED outputs for indicator LEDs.

Power for the unit is derived from the DALI network, so no external power supply is required.

Connections to the unit are via screw terminals.

The compact design means that the unit can be mounted within a third-party switch/button module or back box.

The unit is fully compatible with Helvar lighting control systems, and its operation is configured using Helvar Toolbox or Designer software.

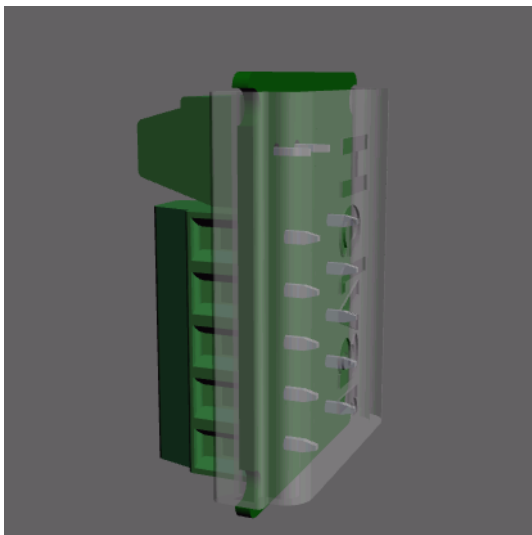


### Key Features

- Compact design
- 4 switch inputs
- 4 LED outputs
- Powered from DALI network

### 3D Viewer

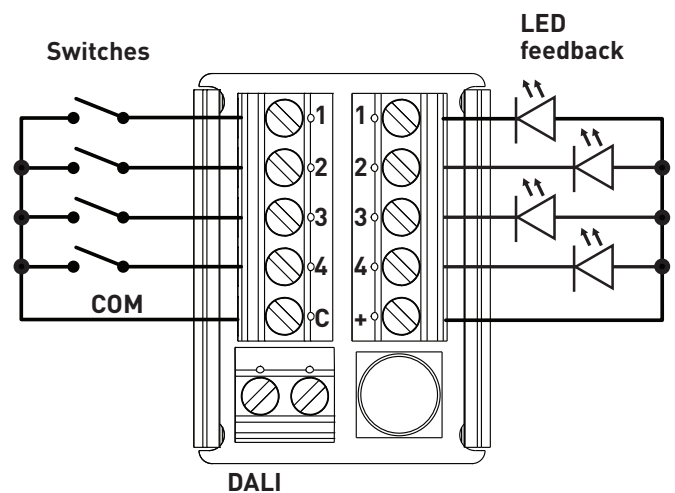
(Electronic version only)



### Connections

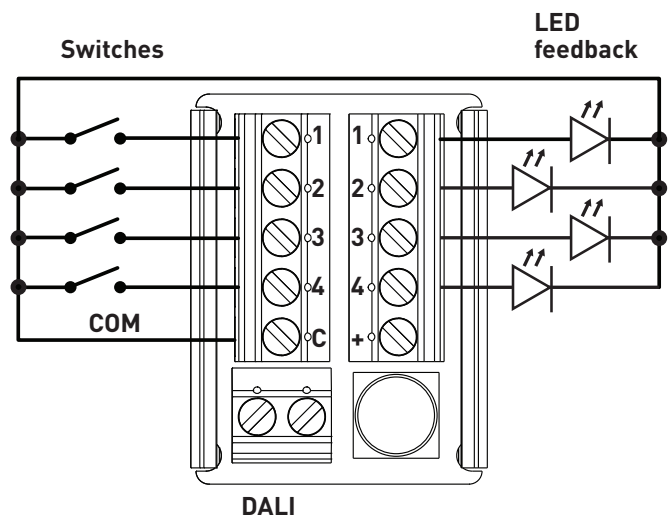
#### Common anode

(Default 'LED Type' setting)



#### Common cathode

(Set 'LED Type' to 'Common cathode' in Toolbox or Designer software.)



## Technical Data

### Connections

<b>Inputs:</b>	4 inputs COM input ground
<b>Overload protection:</b>	± 7 V
<b>Short-circuit current:</b>	0.5 mA max.
<b>Debounce period:</b>	50 ms
<b>Voltage-free switched inputs:</b>	5 V nominal with switch open, must be less than 0.3 V with switch closed
<b>Isolation:</b>	No isolation from DALI network: switches must provide user protection
<b>LED output:</b>	5 V source, 1 kΩ source impedance

### Cable requirements

<b>Wire size:</b>	Up to 1.5 mm <sup>2</sup>
<b>Strip length:</b>	5 mm

### Power

<b>DALI supply output:</b>	None (Use external DALI power supply)
<b>DALI consumption:</b>	15 mA

### Maximum wire length

<b>Switch inputs:</b>	0.5 m
<b>LED driver outputs:</b>	0.5 m
<b>DALI:</b>	300 m

### Mechanical data

<b>Dimensions:</b>	30 mm × 23 mm × 14 mm
<b>Connector screws:</b>	M2 (screwdriver blade 0.4 mm × 2.5 mm)
<b>IP code:</b>	IP00

### Operating conditions

<b>Ambient temperature:</b>	0 °C to +40 °C
<b>Relative humidity:</b>	Max. 90 %, noncondensing
<b>Storage temperature:</b>	-10 °C to +70 °C

### Conformity and standards

<b>EMC emission:</b>	EN 55015
<b>EMC immunity:</b>	EN 61547
<b>Safety:</b>	EN 60950
<b>Environment:</b>	Complies with WEEE and RoHS directives

## Dimensions

