

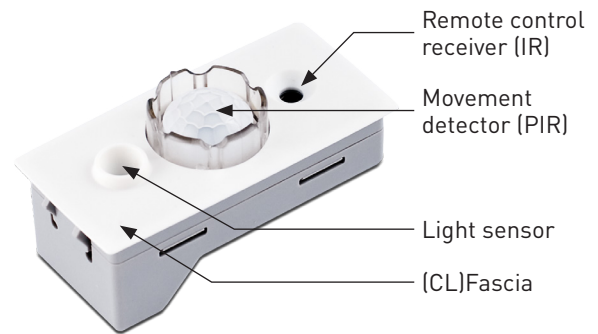
iDim Sense System & Standalone (315)

The iDim Sense is a luminaire-based DALI sensor. It contains:

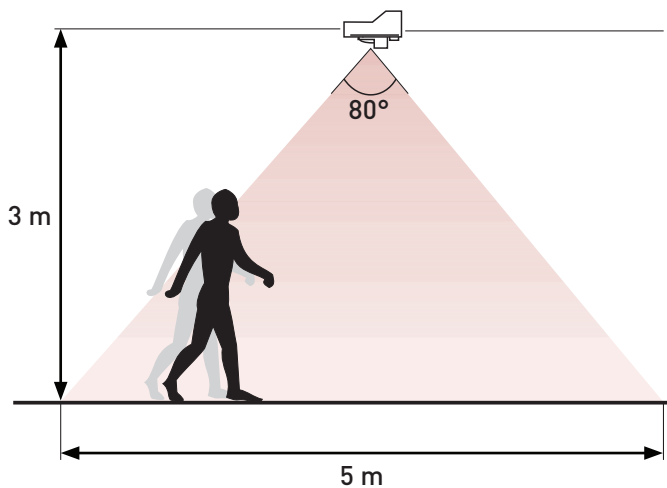
- A light sensor (for Constant Light function)
- A passive infrared (PIR) movement detector
- An infrared receiver (for remote control)

Key Features

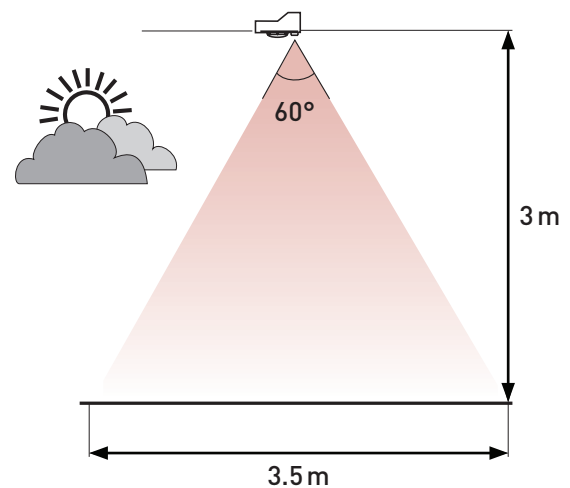
- PIR, Constant Light and Infrared control
- Easy to select application modes
- Clip-on fascia in different colours
- Clip-on PIR restrictor
- Remote control and manual control
- Network compatible with DIGIDIM Toolbox and Helvar 905, 910 or 920 Router systems



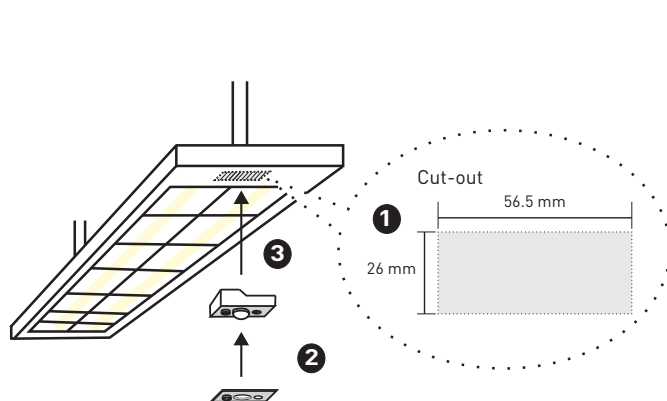
PIR Coverage



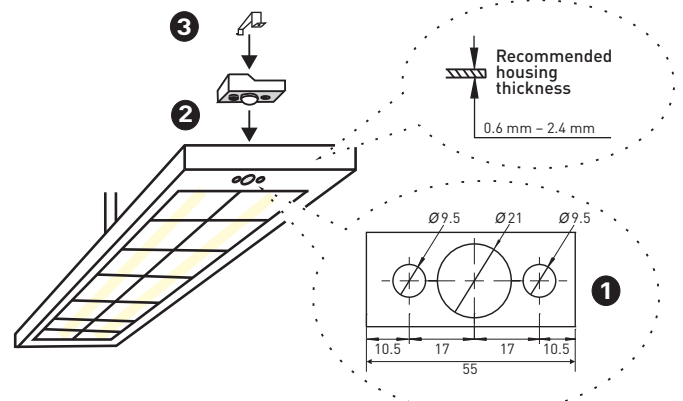
Constant Light Coverage



Typical mounting: with fascia



Alternative mounting: without fascia



Technical Data

Connections

DALI:	Wire size: 0.5 mm ² – 1.5 mm ² Solid, flexible or stranded Strip length: 9 mm
iDim Solo:	RJ Style 4P4C crossover (max. 3 m) Accessory cable available
Power cable rating:	All cables must be mains rated.

Power

DALI consumption:	10 mA
--------------------------	-------

Sensors

Light sensor:	For constant light functions
Presence detector:	PIR: Passive infrared presence detector
infrared receiver:	For remote control commands

Remote control functions

Infrared remote control:	Infrared remote control: Modify preset light levels (constant light or fixed light) Scene store and recall Activate special test functions
---------------------------------	--

Mechanical data

Dimensions:	55 mm × 25 mm × 20 mm (without fascia). See diagram. 58 mm × 28.5 mm × 21.4 mm (with fascia). See diagram.
Recommended luminaire thickness:	0.6 mm – 2.4 mm
Material (casing):	Fire-retardant polycarbonate
Colour:	iDim Sense: Grey (RAL 9006) iDim Fascia: White (RAL 9016) or Grey (RAL 9006)
IP code:	IP30
Weight:	15 g

Operating conditions

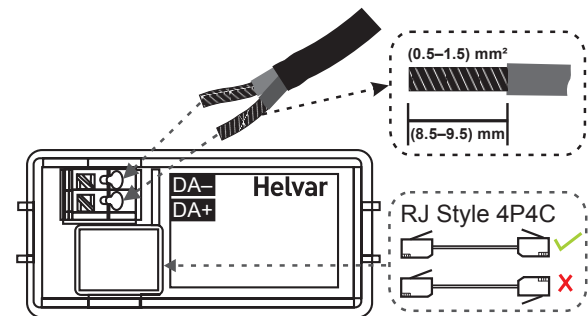
Ambient temperature:	+10 °C to +50 °C
Relative humidity:	Max. 90 %, noncondensing
Storage temperature:	+25 °C to +75 °C
LUX level:	5 LUX to 5000 LUX

Conformity and standards

EMC Emission:	EN 55015
EMC Immunity:	EN 61547
Safety:	EN 61347-2-11
Isolation:	Double isolated
Environment:	Complies with WEEE and RoHS directives.

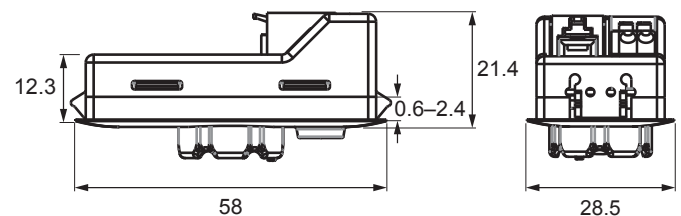
Connections

Note: To remove DALI wiring, always press down on the push wire connector clips.



Dimensions (mm)

iDim Sense with fascia



iDim Sense without fascia

