

Control Panels (16xxx)

Helvar



Installation Guide

Doc. 7860307, issue 3, 2015-01-28

Technical Data

Connections

DALI: 2-pole connector block, rising clamp terminals, captive screw
Wire size: 0.5 mm² – 2.5 mm²
Recommended: 1.0 mm² – 1.5 mm²
Max. length: 300 m @ 1.5 mm²

Cable rating: All cables must be mains rated

Power

DALI supply input: 13 V to 22.5 V
DALI consumption: 10 mA

Operation

IR frequency: 36 kHz

Mechanical data

Dimensions: 86 mm × 86 mm × 25 mm
Weight: 150 g
Material: Buttons: black plastic
Fascia: metal
Mounting: Mount to back box
IP code: IP30

Operating conditions

Ambient temperature: 0 °C to +50 °C
Relative humidity: Max. 90 %, noncondensing
Storage temperature: –10 °C to +70 °C

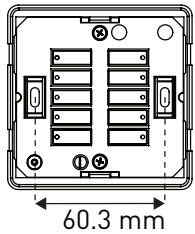
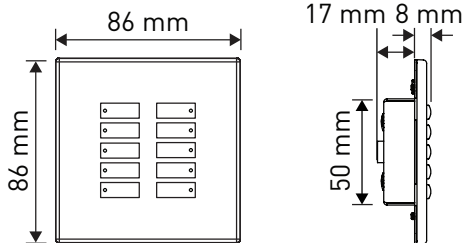
Conformity and standards

EMC emission: EN 61000–6–3
EMC immunity: EN 61547
Safety: EN 60669–1
Environment: Complies with WEEE and RoHS directives
DALI: EN 62386

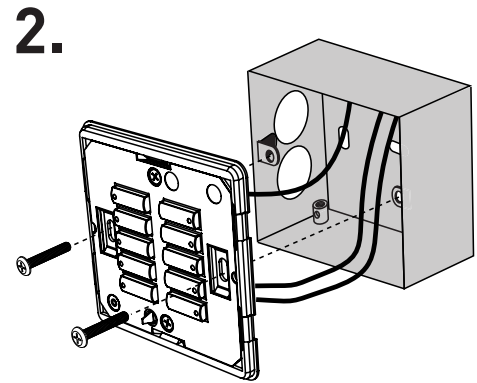
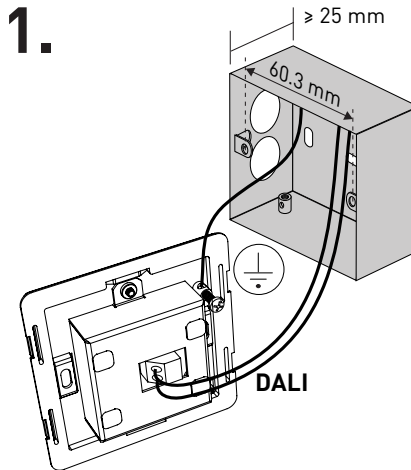
Configuration software

Designer version: 4.2.18 or higher
Toolbox version: 2.3.3 or higher

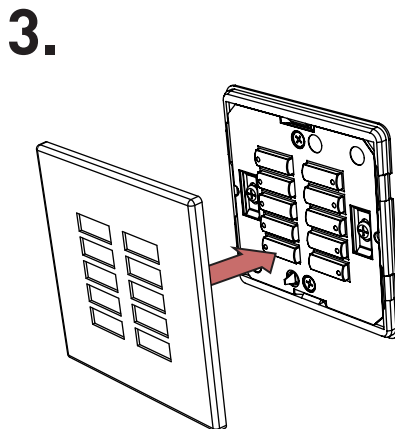
Package contents



60.3 mm
M3.5 × 30 mm {
M3 × 8 mm {



Parts in grey are not included in the package.



Helvar

Helvar Ltd.
Hawley Mill,
Hawley Road
Dartford, Kent
DA2 7SY
UK

www.helvar.com