



ENTTEC 30mm *PIXEL Dot*

SMART RGB PIXEL DOTS: 125MM PITCH



Features

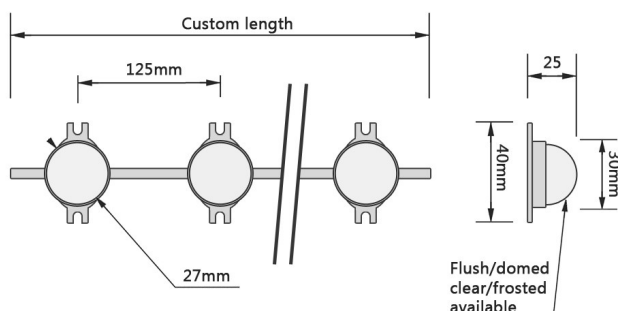
- 125mm Pitch
- Designed for ENTTEC Pixie Driver
- Frosted and clear dome options
- In-built WS2811 chips and 3x5050 RGB LEDs
- Each pixel can achieve 16,777,216 full colour display and scan frequency non less than 400Hz/s
- Easy wall mounting
- Built-in data signal reshaping circuit
- 12V DC input supply voltage
- Flexible construction material
- Outdoor use

Specifications

Parameter per DOT	8PDOT1-CD	8PDOT1-FD
Dome finished	Clear	Frosted
Input Voltage (VCC)	+11.5 to +12.5 VDC	
Data line (High) Voltage	4.5 to VCC +0.5	
Consumption (Watts)	0.6	
RGB Luminance (lumens)	12	7
Beam Angle	120°	180°
Control Protocol	WS2811	
Net Weight (Grams)	20	
Operation Temperature	-10° to 45° C	

Due to continuous improvements and innovations of all ENTTEC products, specifications and features are subject to change without notice.

Physical Dimensions



Ordering Information

The ENTTEC Pixel DOTS and compatible products can be ordered from our website or through your ENTTEC dealer.

ENTTEC PTY LTD
17/5 Samantha Court
Knoxfield Victoria 3180
Australia
Tel: +61 3 9763 5755
Fax: +61 3 9763 5688

ENTTEC AMERICAS
604A Cornerstone Ct.
Hillsborough NC 27278
USA
Tel-Fax: (888) 454-5922
email sales@enttec.com

For more information please contact

lightmoves (03) 9701 2500
info@lightmoves.com.au

138-146 Browns Rd, Noble Park VIC 3174

www.enttec.com